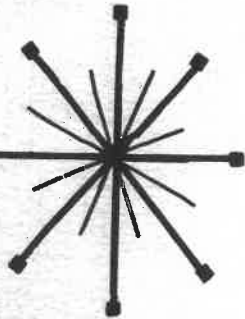


# DIXIE-NARCO

SERVICE PARTS MANUAL  
LIST

1977

## Bottle / Double Depth Can Venders



ADAPTABLE MODELS

WITH RED CAM ON VEND MOTORS  
WITH SINGLE RELAY LOCK-OUT CIRCUIT

DN180/105-5

DN260/150-5

DN300/175-5

DN360/205-5

DN312/180-6

DN360/210-6

DN432/246-6



MANUFACTURED BY DIXIE-NARCO INC., RANSON, W.VA.



**—WARRANTY—**

Dixie-Narco Warrants to the original purchaser of a Dixie-Narco unit all parts thereof (except light bulbs, fuses, or finish) to be free from defects in material and workmanship, under normal use and service for a period of 15 months from the date of shipment of the unit from either our plant or warehouse.

The term "original purchaser" as used in this warranty shall be deemed to mean that person, firm, association, or corporation to which the machine was sold originally.

Dixie-Narco's obligation under this warranty is limited to repairing or replacing without charge any part which upon our examination and to our satisfaction was defective in material or in workmanship and which failed under normal operating conditions and service.

The hermetically sealed refrigeration system, consisting of the motor compressor, condenser, evaporator and the refrigerant tubing is warranted for a total period of five (5) years and three (3) months from date of shipment.

The vend motor is warranted for a total period of five (5) years and three (3) months from date of shipment.

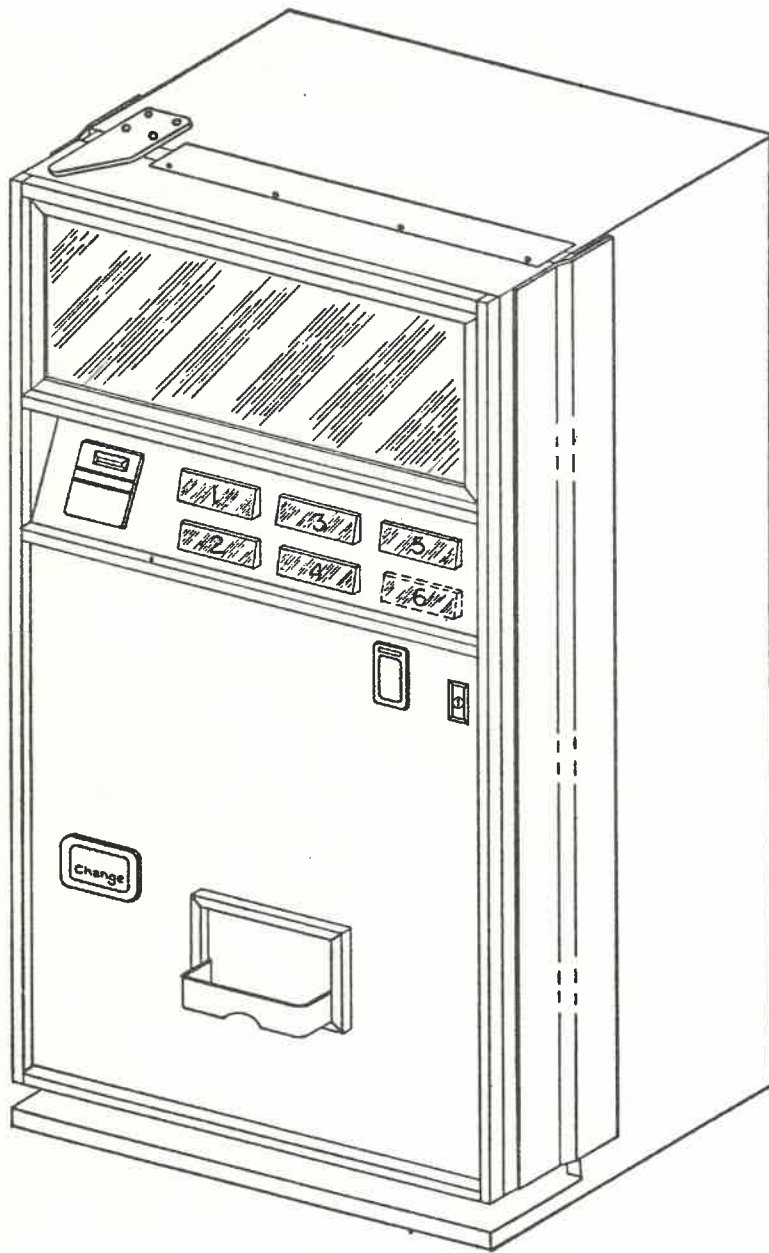
The five year warranty does not apply to any electrical controls, fan motors, overload switches, starting relays, temperature controls, wiring harnesses, cabinet or finish. Dixie-Narco's obligation under this warranty on the sealed refrigeration system referred to above is limited to repairing and returning or replacing at Dixie-Narco's option any unit with a similar unit when upon examination and to our satisfaction it was determined to have been defective. If our examination reveals that the unit is inoperative because of a defective accessory, both cost of repairs and freight charges will be paid by the customer.

Dixie-Narco will pay transportation charges under this warranty on all parts replaced or repaired when transportation has been made in the most economical way. If special handling or special transportation is used or requested, the charges will be paid by the customer.

This warranty only applies to units located within the United States and when operated in normal conditions and with electrical power supplies of 110/120 volts, 60 cycle. Further, the warranty is voided when a unit or any part has been subject to misuse, neglect, alteration without proper authorization, accident, or damage caused by transportation, flood, civil disorder, fire or the Acts of God.

"Return Material Tags" indicating model number of unit, serial number, and explanation of defect, must accompany all returned parts or units. "Return Material Tags" will be furnished upon request.

TITLE PAGE



**DN180/105-5**  
Height: 56-11/16  
Width: 28-5/16  
Depth: 26  
Shipping Wt: 462 lbs.  
Capacity:  
Can, 12 oz. - 180  
Bottle, Regular - 105

**DN260/150-5**  
Height: 66-5/16  
Width: 28-5/16  
Depth: 26  
Shipping Wt: 532 lbs.  
Capacity:  
Can, 12 oz. - 260  
Bottle, Regular - 150

**DN300/175-5**  
Height: 72  
Width: 28-5/16  
Depth: 26  
Shipping Wt: 562 lbs.  
Capacity:  
Cans, 12 oz. - 300  
Bottle, Regular - 175

**DN360/205-5**  
Height: 79-1/2  
Width: 28-5/16  
Depth: 26  
Shipping Wt: 598 lbs.  
Capacity:  
Can, 12 oz. - 360  
Bottle, Regular - 205

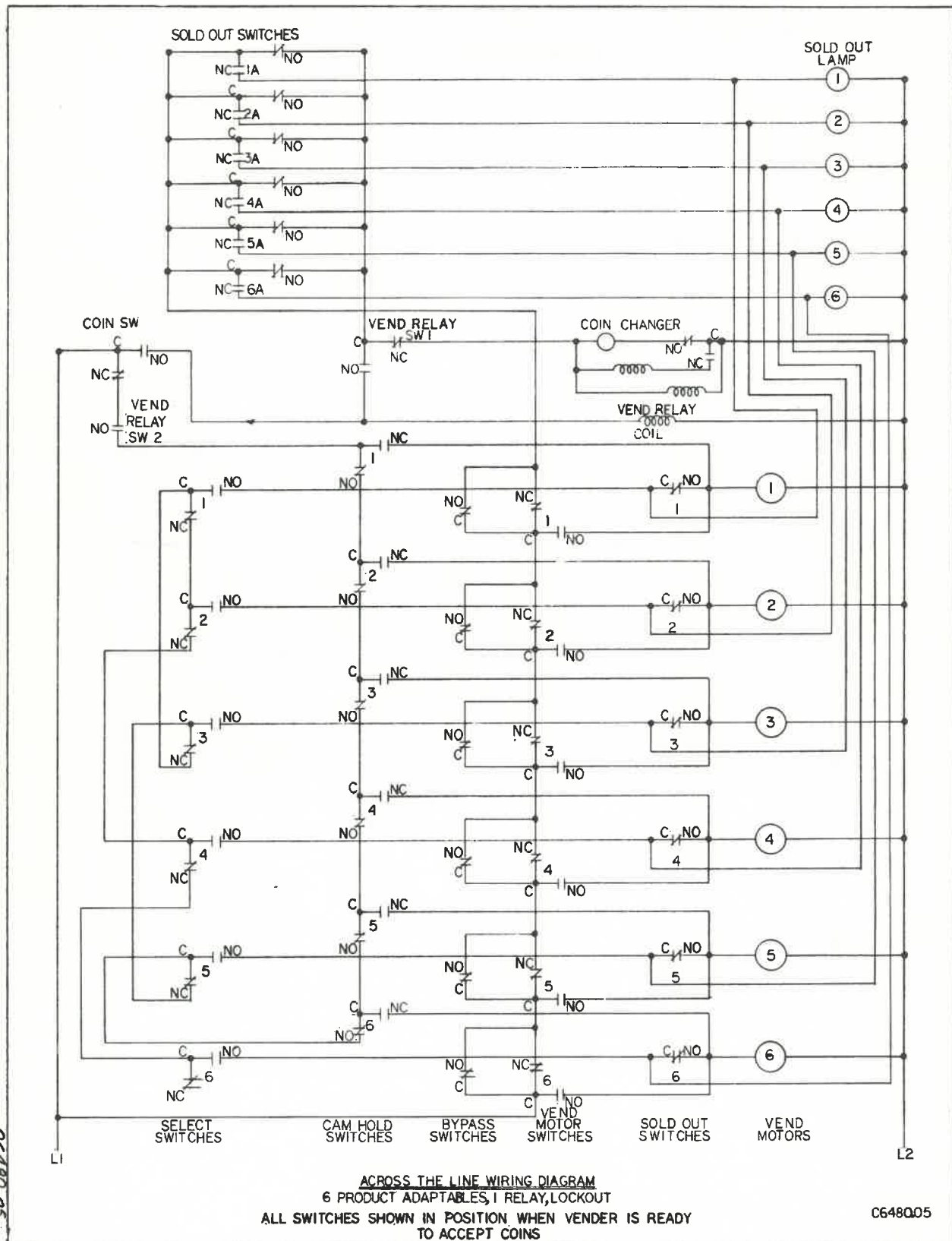
**DN312/180-6**  
Height: 66-5/16  
Width: 37-1/16  
Depth: 26  
Shipping Wt: 624 lbs.  
Capacity:  
Can, 12 oz. - 312  
Bottle, Regular - 180

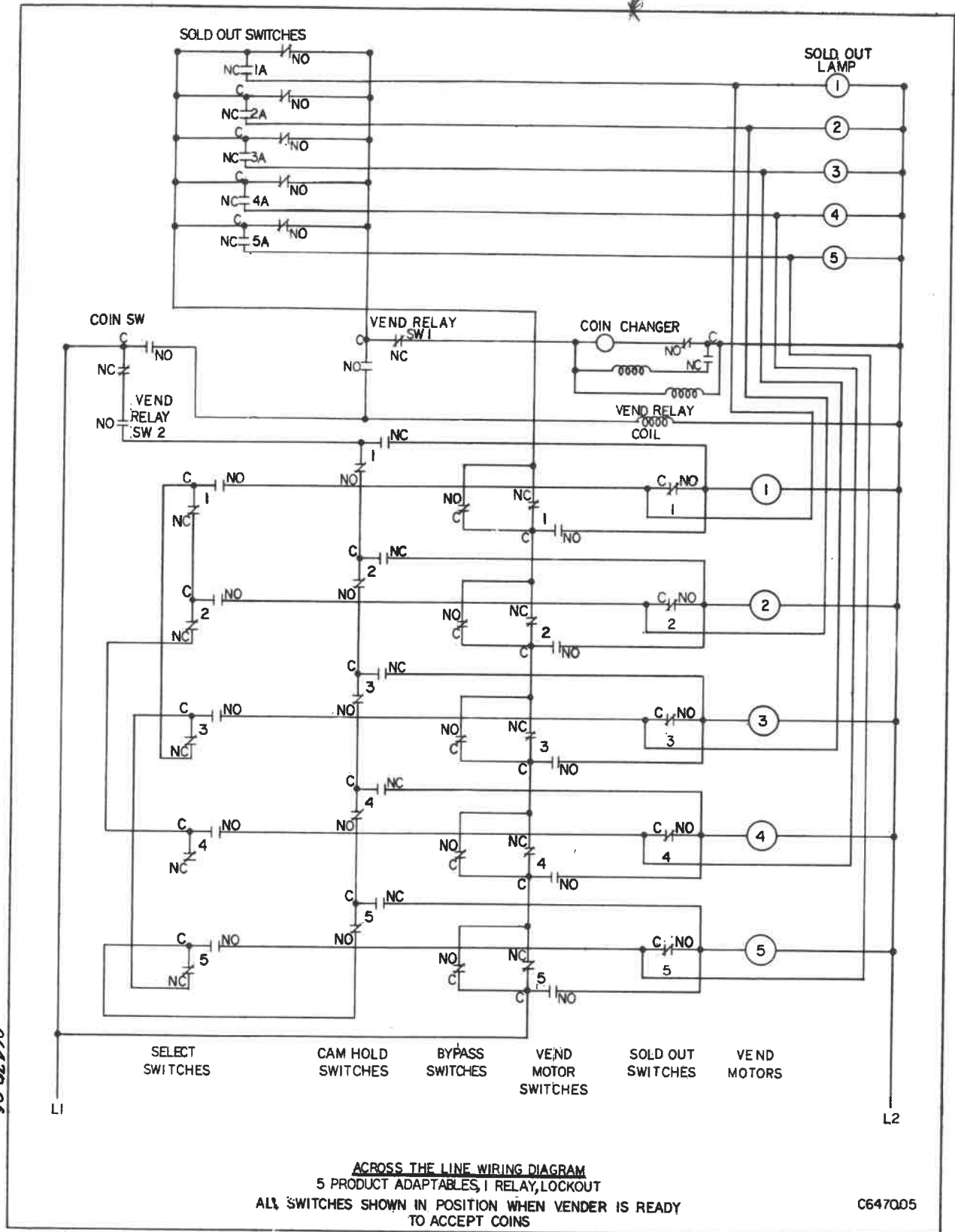
**DN360/210-6**  
Height: 72  
Width: 37-1/16  
Depth: 26  
Shipping Wt: 670 lbs.  
Capacity:  
Can, 12 oz. - 360  
Bottle, Regular - 210

**DN432/246-6**  
Height: 79-1/2  
Width: 37-1/16  
Depth: 26  
Shipping Wt: 716 lbs.  
Capacity:  
Can, 12 oz. - 432  
Bottle, Regular - 246

## CONTENTS

|                            |   |
|----------------------------|---|
| Wiring Diagrams .....      | 4 |
| Parts and Price List ..... | 8 |



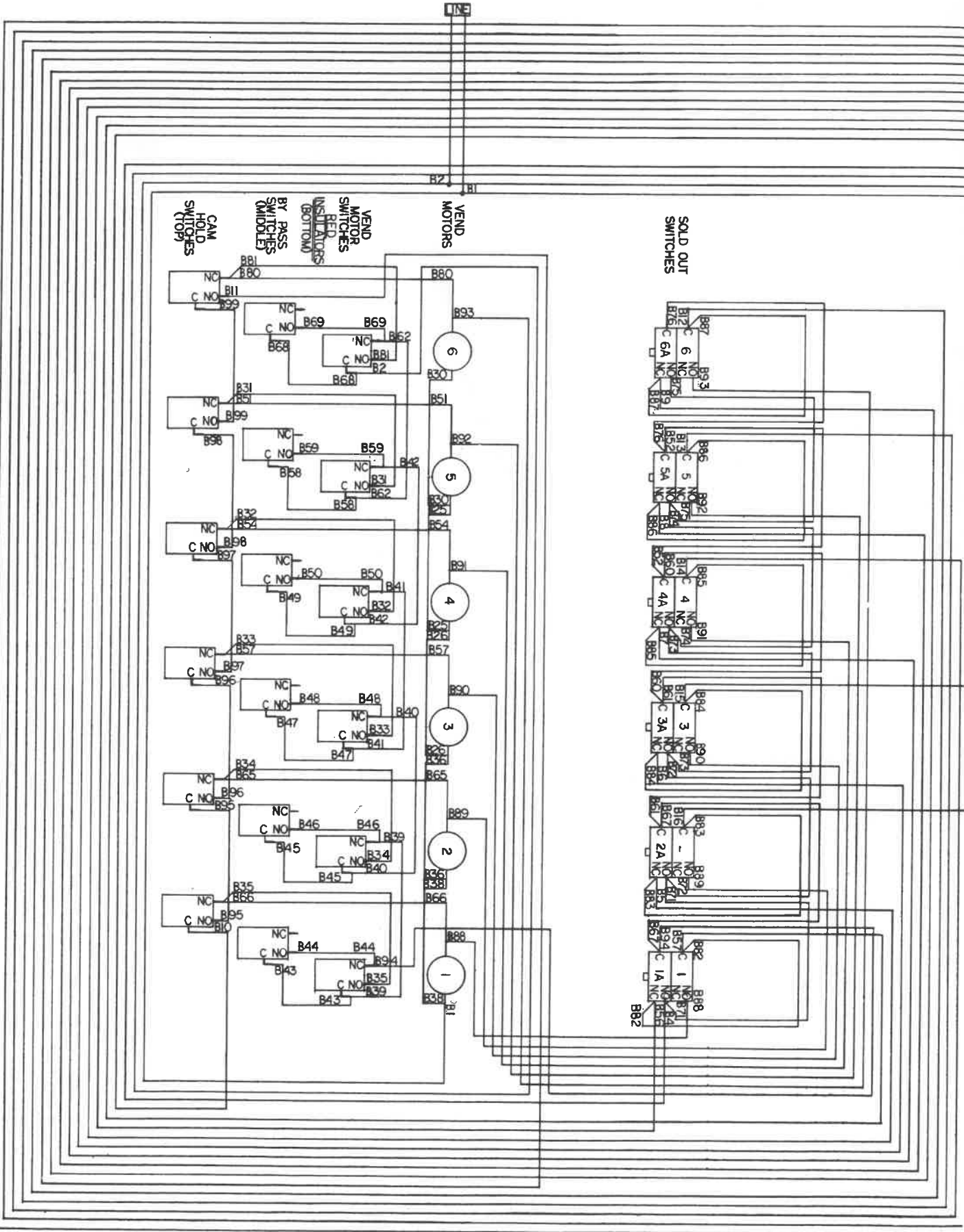






6-PRODUCT ADAPTABLE VENDERS

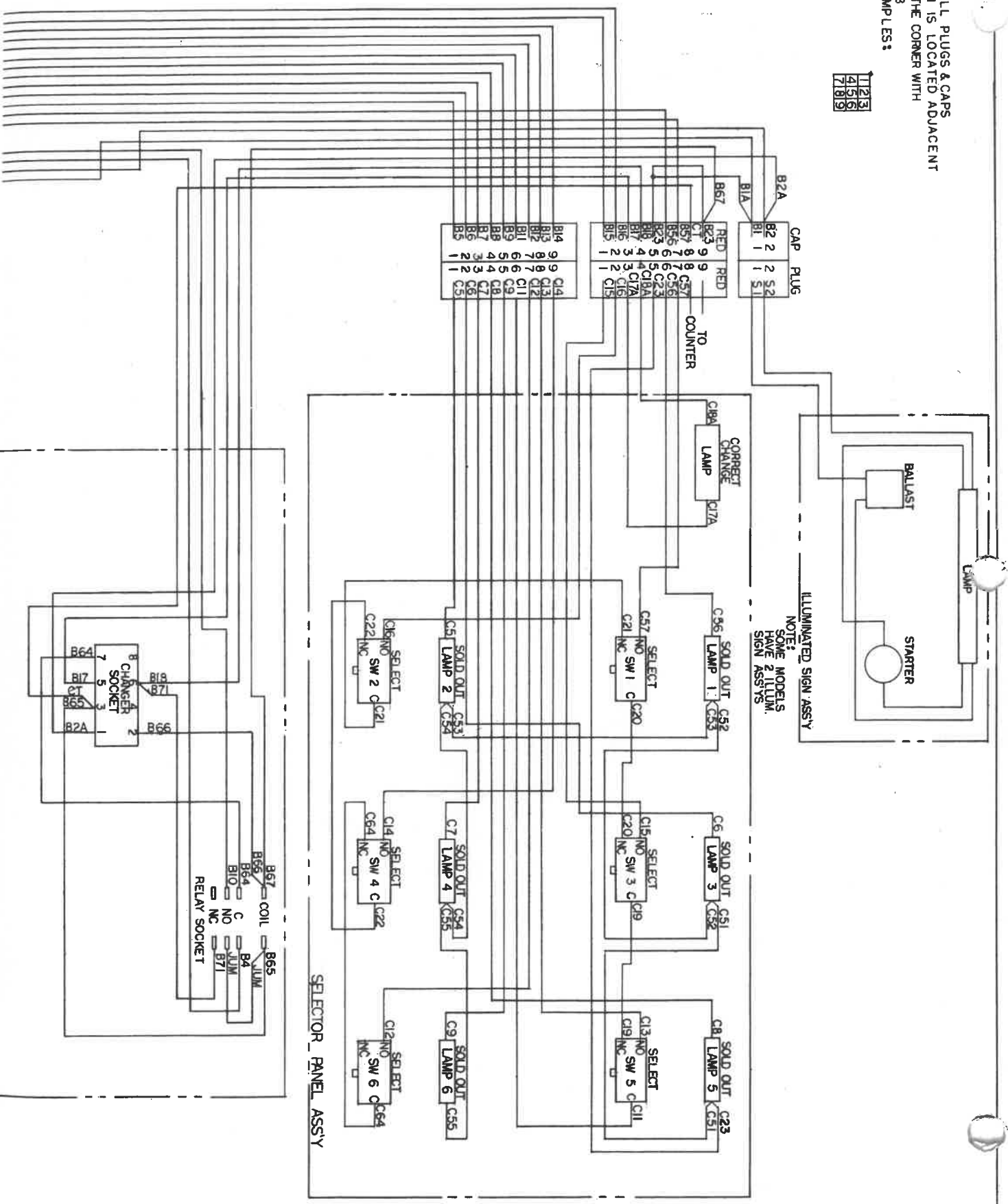
809.030.11



6A



ON ALL PLUGS & CAPS  
PIN 1 IS LOCATED ADJACENT  
TO THE CORNER WITH  
A RIB  
EXAMPLES:

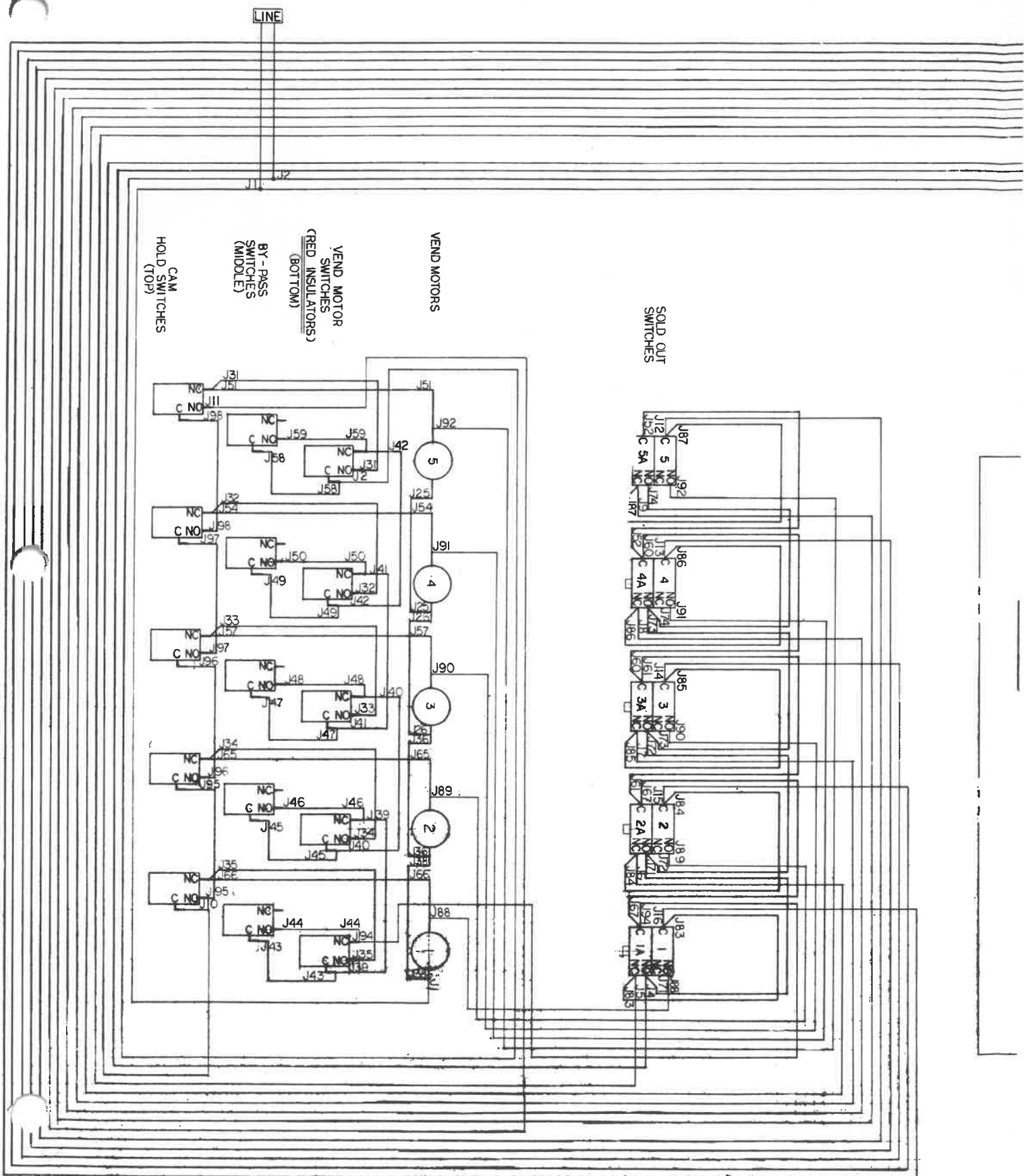


ILLUMINATED SIGN ASSY  
NOTE:  
SOME MODELS  
HAVE 2 ILLUM.  
SIGN ASSYS













**PARTS AND PRICE LIST  
CONTENTS**

Main Door..... 10

Interior Door Parts ..... 14

Inner Door Parts..... 16

Selector Panel ..... 20

Wiring Harness - Door and Cabinet ..... 22

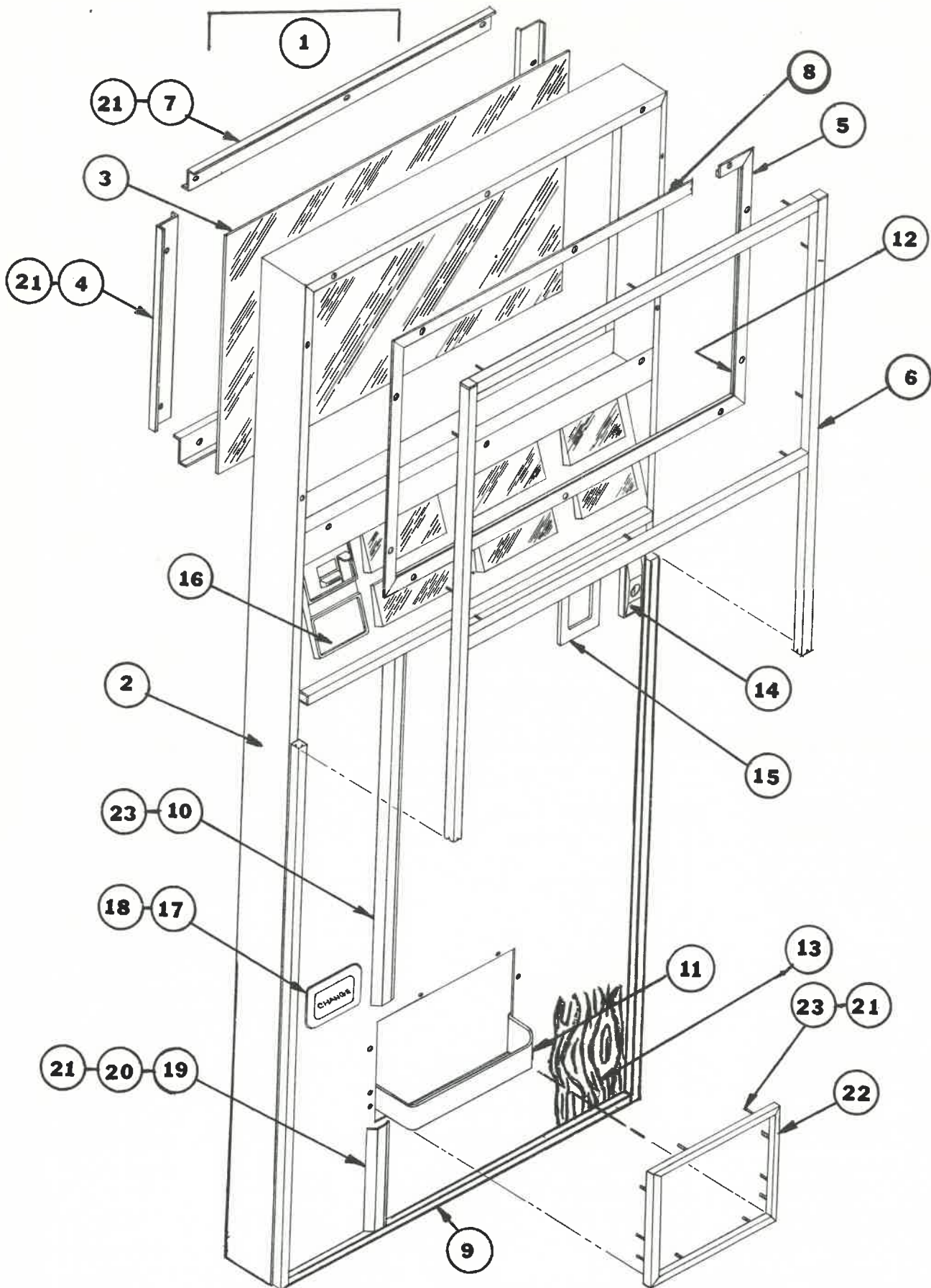
Hinges and Handles ..... 24

Pull-Out Handle - National ..... 26

Cabinet and Vend Mechanism ..... 28

Refrigeration System..... 32

MAIN DOOR

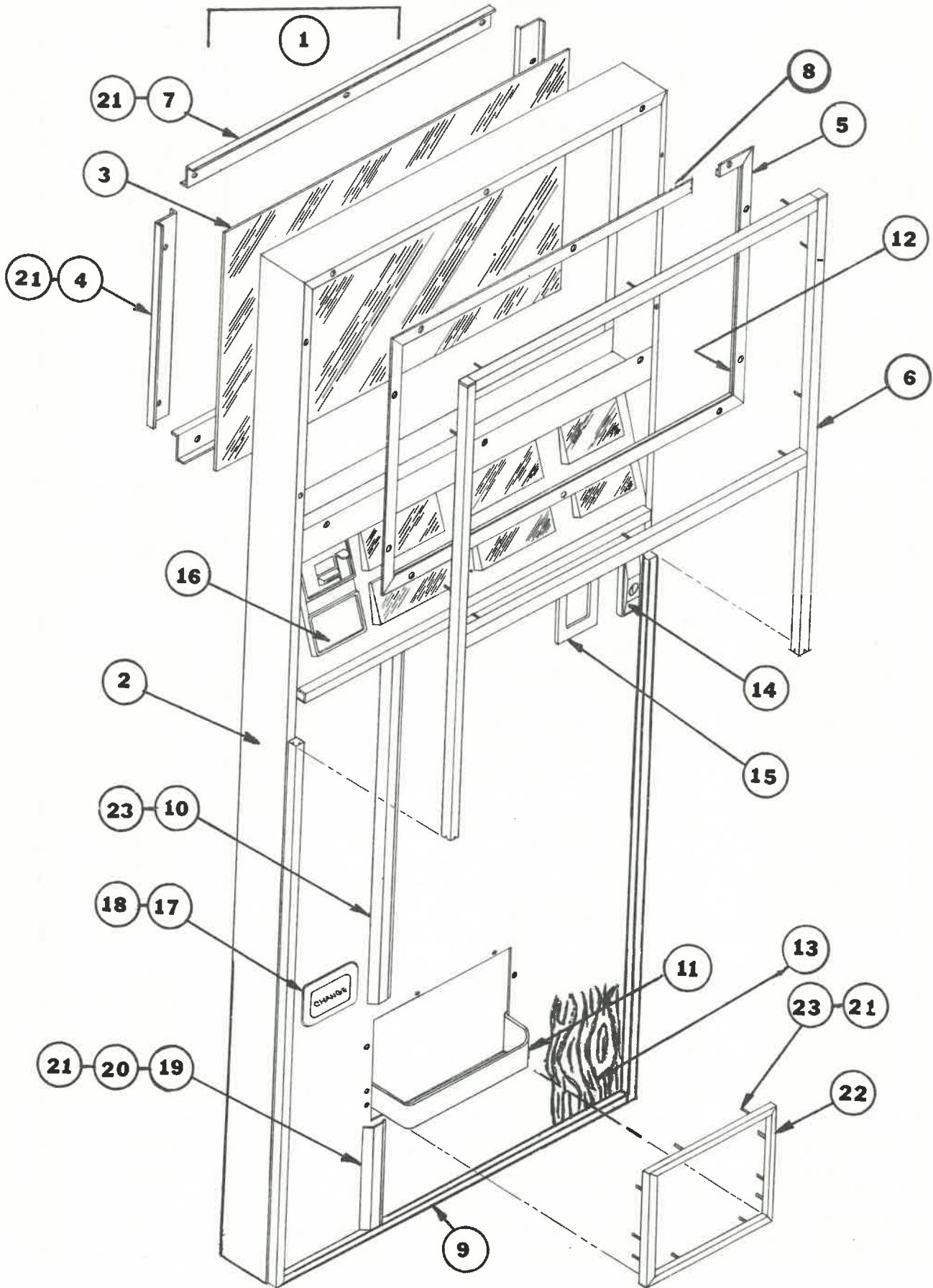


**MAIN DOOR**

| ITEM NO.           | PART NUMBER      | PART NAME & DESCRIPTION | PRICE    |
|--------------------|------------------|-------------------------|----------|
| <b>DN180/105-5</b> |                  |                         |          |
| 1                  | D213,050,201.03C | Main Door Assembly      | \$240.00 |
| 2                  | D207,050,300.53  | Main Door W/A           | 80.00    |
| 3                  | 805,001,930.01   | Illuminated Sign        | 6.64     |
| 4                  | B207,050,020.13  | Sign Retainer, Sides    | .36      |
| 5                  | A172,050,180.03  | Sign Frame, Side        | 3.25     |
| 6                  | A801,602,400.11  | Vertical trim           | 2.40     |
| <b>DN260/150-5</b> |                  |                         |          |
| 1                  | D213,050,201.03B | Main Door Assembly      | 240.00   |
| 2                  | D214,050,300.53  | Main Door, W/A          | 80.00    |
| 3                  | 805,001,930.01   | Illuminated Sign        | 6.64     |
| 4                  | A207,050,020.13  | Sign Retainer, Sides    | .36      |
| 5                  | A172,050,180.03  | Sign Frame, Sides       | 3.25     |
| <b>DN300/175-5</b> |                  |                         |          |
| 1                  | D213,050,201.03D | Main Door Assembly      | 240.00   |
| 2                  | D214,050,300.33  | Main Door, W/A          | 80.00    |
| 3                  | 805,002,100.01   | Illuminated Sign        | 14.48    |
| 4                  | A215,050,060.03  | Sign Retainer - Sides   | .53      |
| 5                  | A215,050,030.03  | Sign Frame - Sides      | 4.25     |
| <b>DN360/205-5</b> |                  |                         |          |
| 1                  | D213,050,201.03A | Main Door Assembly      | 264.00   |
| 2                  | D214,050,300.33  | Main Door W/A           | 104.00   |
| 3                  | 805,001,940.01   | Illuminated Sign        | 10.60    |
| 4                  | B214,050,030.23  | Sign Retainer - Sides   | .53      |
| 5                  | A213,050,050.13  | Sign Frame - Sides      | 4.25     |
| <b>DN312/180-6</b> |                  |                         |          |
| 1                  | D176,050,201.33C | Main Door Assembly      | 272.00   |
| 2                  | D211,050,300.53  | Main Door, W/A          | 112.00   |
| 3                  | 805,001,950.01   | Illuminated Sign        | 8.01     |
| 4                  | A209,050,010.23  | Sign Retainer - Sides   | .53      |
| 5                  | A178,050,050.03  | Sign Frame, Sides       | 4.75     |
| <b>DN360/210-6</b> |                  |                         |          |
| 1                  | D176,050,201.33B | Main Door Assembly      | 280.00   |
| 2                  | D211,050,300.53  | Main Door, W/A          | 120.00   |
| 3                  | 805,001,960.01   | Illuminated Sign        | 13.20    |
| 4                  | B210,050,010.13  | Sign Retainer, Sides    | .53      |
| 5                  | A177,050,050.03  | Sign Frame, Sides       | 4.75     |
| <b>DN432/246-6</b> |                  |                         |          |
| 1                  | D176,050,201.33A | Main Door Assembly      | 288.00   |
| 2                  | D211,050,300.53  | Main Door, W/A          | 128.00   |
| 3                  | 805,001,970.01   | Illuminated Sign        | 17.41    |
| 4                  | B211,050,020.13  | Sign Retainer, Sides    | .53      |
| 5                  | B176,050,050.03  | Sign Frame, Sides       | 4.75     |

WHEN ORDERING PARTS INDICATE MODEL# AND SERIAL # OF VENDER.  
ALL PRICES ARE SUBJECT TO CHANGE WITHOUT NOTICE.

MAIN DOOR



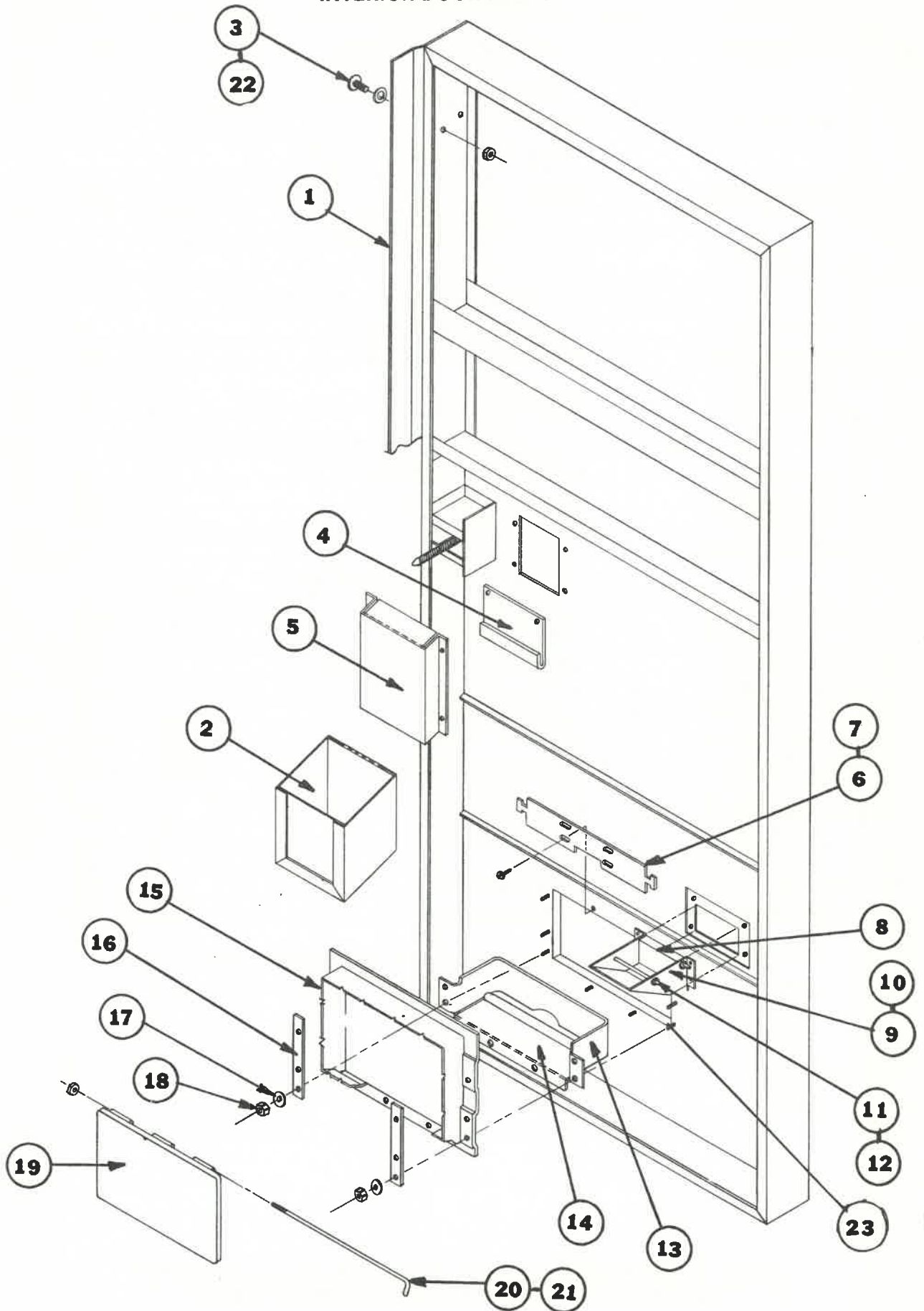
**MAIN DOOR**

| ITEM NO.                                            | PART NUMBER      | PART NAME & DESCRIPTION          | PRICE     |
|-----------------------------------------------------|------------------|----------------------------------|-----------|
| 6                                                   | A801,602,450.01  | DN260/150-5 and DN312/180-6      | \$ 2.79   |
|                                                     |                  | Vertical Trim.                   |           |
| 6                                                   | A801,602, 460.01 | DN300/175-5 and DN360/210-6      | 3.07      |
|                                                     |                  | Vertical Trim                    |           |
| 6                                                   | A801,602,430.11  | DN360/205-5 and DN432/246-6      | 3.46      |
|                                                     |                  | Vertical Trim                    |           |
| <b>ALL DIXIE—NARCO 5-PRODUCT RED CAM ADAPTABLES</b> |                  |                                  |           |
| 7                                                   | B207,050,010.23  | Sign Retainer, Top and Bottom    | .36       |
| 8                                                   | B172,050,190.03  | Sign Frame, Top and Bottom       | 7.50      |
| 9                                                   | A801,602,390.11  | Trim, Horizontal                 | 1.20      |
| 10                                                  | A169,050,640.23  | Center Trim, Top                 | 4.66      |
| <b>ALL DIXIE-NARCO 6-PRODUCT RED CAM ADAPTABLES</b> |                  |                                  |           |
| 7                                                   | B209, 050,020.23 | Sign Retainer, Top and Bottom    | .36       |
| 8                                                   | B176,050,060.03  | Sign Frame, Top and Bottom       | 4.65      |
| 9                                                   | A801,602,380.11  | Trim, Horizontal                 | 1.59      |
| 10                                                  | A171,050,070.33  | Center Trim, Top                 | 2.65      |
| <b>ALL DIXIE-NARCO RED CAM ADAPTABLES</b>           |                  |                                  |           |
| 11                                                  | B801,303,390.21  | Discharge Member                 | 6.39      |
| 12                                                  | 903,600,410.01   | Gasket (Specify Model)           | 3.56      |
| 13                                                  | 801,901,160.01   | Woodgrain vinyl (specify length) | 2.26 /ft. |
| 14                                                  | A801,501,860.31  | Pull out handle (complete)       | 5.98      |
| 15                                                  | B801,303,500.41  | Bezel, Bottle Opener             | .85       |
| 16                                                  | 213,011,600.04   | Coin Insert Assembly             | 11.97     |
| 17                                                  | B801,303,490.51  | Bezel, Coin Return Cup           | .83       |
| 18                                                  | 900,300,110.01   | Screw, S/M #6 x 1/4              | .06       |
| 19                                                  | A171,050,080.43  | Trim, Bottom, Center             | 2.65      |
| 20                                                  | 902,700,160.01   | Tee Bolt, 8-32 x 1/2             | .06       |
| 21                                                  | 900,800,500.01   | Keps Nut                         | .05       |
| 22                                                  | B801,602,510.11  | Trim, Delivery Port              | 6.65      |
| 23                                                  | A900,400,350.31  | Tee Bolt, 8-32 x 3/4             | .08       |

WHEN ORDERING TRIM, SPECIFY SILVER OR BLACK FINISH.

WHEN ORDERING PARTS INDICATE MODEL # AND SERIAL # OR VENDER.  
ALL PRICES ARE SUBJECT TO CHANGE WITHOUT NOTICE.

INTERIOR DOOR PARTS

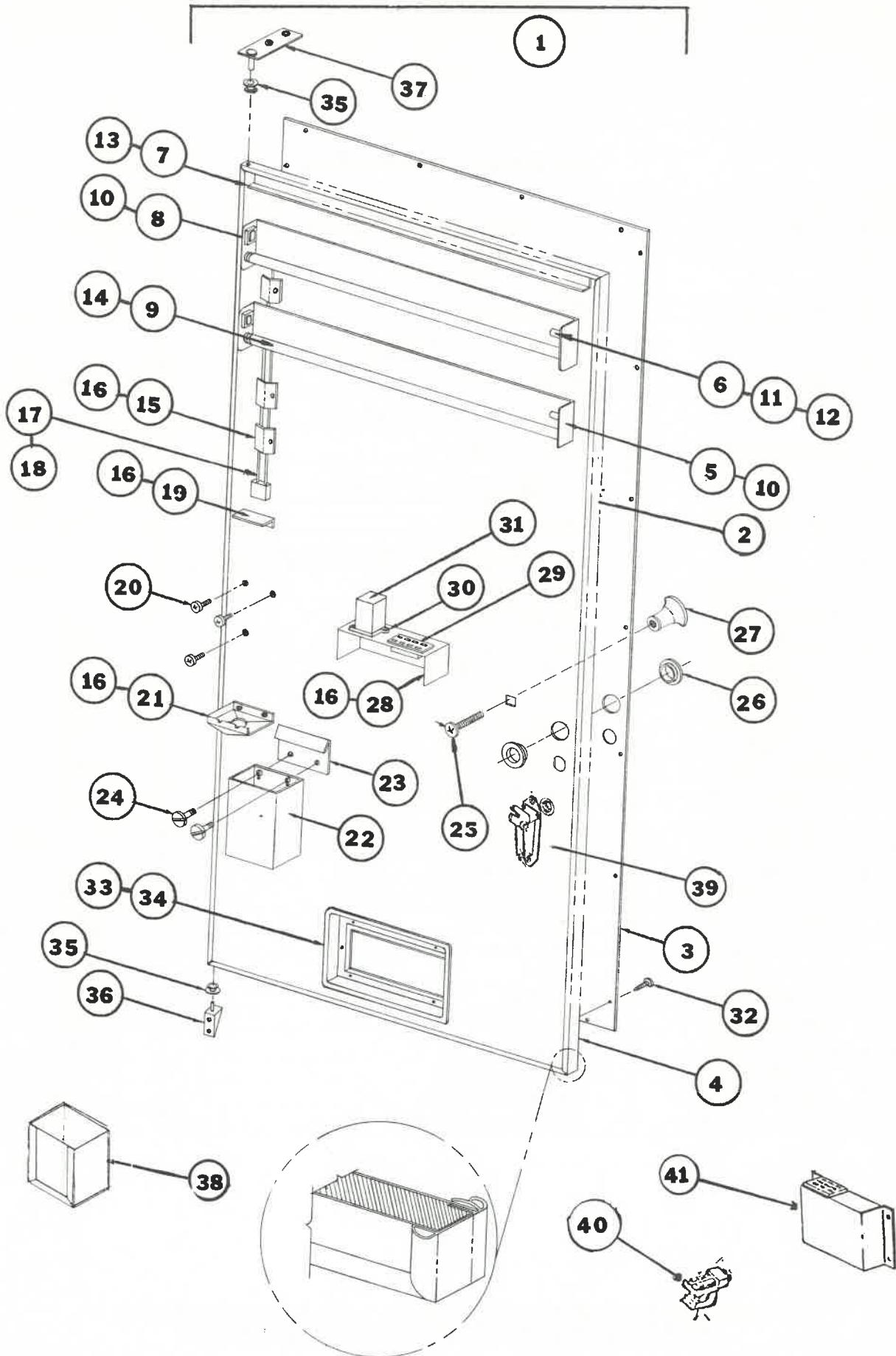


**INTERIOR DOOR PARTS**

| ITEM NO.                                  | PART NUMBER     | PART NAME AND DESCRIPTION   | PRICE    |
|-------------------------------------------|-----------------|-----------------------------|----------|
| 1                                         | C168,050,330.93 | DN180/105-5                 | \$ 16.38 |
|                                           |                 | Protective Plate            |          |
| 1                                         | C166,150,330.83 | DN260/150-5 and DN312/180-6 | 16.38    |
|                                           |                 | Protective Plate            |          |
| 1                                         | C165,150,330.83 | DN300/175-5 and DN360/210-6 | 16.38    |
|                                           |                 | Protective Plate            |          |
| 1                                         | C164,150,331.03 | DN360/205-5 and DN432/246-6 | 16.38    |
|                                           |                 | Protective Plate            |          |
| <b>ALL DIXIE-NARCO RED CAM ADAPTABLES</b> |                 |                             |          |
| 2                                         | B211,051,400.03 | Crown Catcher, S/A          | 2.37     |
| 3                                         | 900,201,200.01  | Carriage Bolt and Nut       | .07      |
| 4                                         | A211,050,230.23 | Hanger, Crown Catcher       | 1.19     |
| 5                                         | B73,052,161.23  | Housing, Crown Puller       | 2.40     |
| 6                                         | B172,050,031.33 | Closure Strip               | 2.65     |
| 7                                         | 900,600,230.02  | Screw, S/M #8 x 1/2         | .05      |
| 8                                         | B801,803,930.11 | Coin Return Door            | .59      |
| 9                                         | B208,051,400.13 | Coin Return Cup, S/A        | 3.73     |
| 10                                        | 900,300,110.01  | Screw, S/M #6 x 1/4         | .06      |
| 11                                        | A900,501,820.01 | Hinge Pin                   | .66      |
| 12                                        | 900,900,900.01  | Retaining Ring              | .07      |
| 13                                        | B801,303,390.21 | Discharge Member            | 6.39     |
| 14                                        | A172,050,300.73 | Bumper Assembly             | 1.99     |
| 15                                        | D801,803,471.01 | Delivery Chute              | 12.24    |
| 16                                        | B169,050,370.93 | Reinforcement Strip         | .66      |
| 17                                        | 900,700,060.01  | Washer                      | .05      |
| 18                                        | 900,800,500.01  | Keps Nut                    | .05      |
| 19                                        | C801,803,650.61 | Delivery Door               | 4.34     |
| 20                                        | A169,050,530.83 | Hinge Pin                   | .66      |
| 21                                        | 900,800,580.01  | Stop Nut, Elastic           | .07      |
| 22                                        | 900,700,710.01  | Lockwasher 1/4-20           | .08      |
| 23                                        | A900,400,350.01 | "T" Bolts 8-32 x 3/4        | .08      |

WHEN ORDERING PARTS INDICATE MODEL # AND SERIAL # OF VENDER.  
ALL PRICES ARE SUBJECT TO CHANGE WITHOUT NOTICE.

INNER DOOR



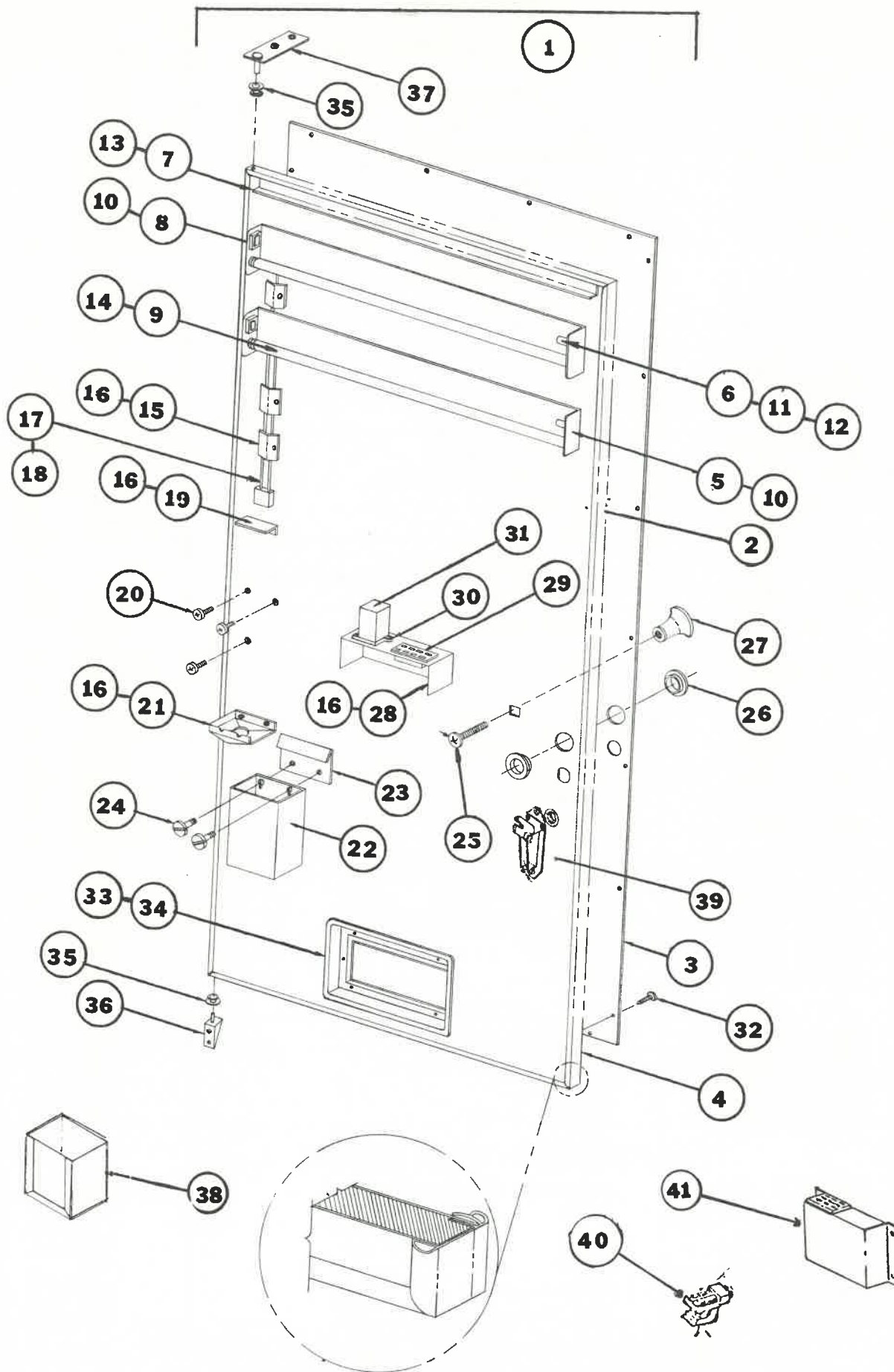


**INNER DOOR**

| ITEM NO.                                     | PART NUMBER      | PART NAME AND DESCRIPTION      | PRICE    |
|----------------------------------------------|------------------|--------------------------------|----------|
| <b>DN180/105-5</b>                           |                  |                                |          |
| 1                                            | D213,050,100.73C | Inner Door Assembly            | \$ 72.00 |
| 2                                            | D173,150,300.53  | Foamed Assembly w/ gasket      | 40.00    |
| 3                                            | C173,150,020.73  | Rear Panel                     | 5.35     |
| 4                                            | 801,804,010.01   | Gasket                         | 4.02     |
| 38                                           | B168,051,500.33  | Cash Box, located in main door | 3.73     |
| <b>DN260/150-5</b>                           |                  |                                |          |
| 1                                            | D213,050,100.73B | Inner Door Assembly            | 72.00    |
| 2                                            | D172,150,300.53  | Foamed Assembly w/gasket       | 40.00    |
| 3                                            | C172,150,020.83  | Rear Panel                     | 5.60     |
| 4                                            | 801,804,020.01   | Gasket                         | 10.24    |
| <b>DN300/175-5</b>                           |                  |                                |          |
| 1                                            | D213,050,100.73D | Inner Door Assembly            | 72.00    |
| 2                                            | D215,050,400.43  | Foamed Assembly w/gasket       | 40.00    |
| 3                                            | C215,050,050.43  | Rear Panel                     | 5.85     |
| 4                                            | 801,804,030.01   | Gasket                         | 5.37     |
| <b>DN360/205-5</b>                           |                  |                                |          |
| 1                                            | D213,050,100.73A | Inner Door Assembly            | 104.00   |
| 2                                            | D213,050,300.53  | Foamed Assembly w/gasket       | 55.00    |
| 3                                            | C213,050,020.93  | Rear Panel                     | 6.10     |
| 4                                            | 801,804,040.01   | Gasket                         | 5.74     |
| <b>DN312/180-6</b>                           |                  |                                |          |
| 1                                            | D176,150,200.63C | Inner Door Assembly            | 112.00   |
| 2                                            | D178,150,300.53  | Foamed Assembly w/gasket       | 60.00    |
| 3                                            | 178,150,020.73   | Rear Panel                     | 6.98     |
| 4                                            | 801,804,050.01   | Gasket                         | 8.86     |
| <b>DN360/210-6</b>                           |                  |                                |          |
| 1                                            | D176,150,200.63B | Inner Door Assembly            | 120.00   |
| 2                                            | D177,150,300.53  | Foamed Assembly w/gasket       | 65.00    |
| 3                                            | C177,150,020.73  | Rear Panel                     | 7.23     |
| 4                                            | 801,804,060.01   | Gasket                         | 5.83     |
| <b>DN432/246-6</b>                           |                  |                                |          |
| 1                                            | D176,150,200.63A | Inner Door Assembly            | 136.00   |
| 2                                            | D176,150,300.53  | Foamed Assembly w/gasket       | 70.00    |
| 3                                            | C176,150,020.63  | Rear Panel                     | 7.48     |
| 4                                            | 801,804,070.01   | Gasket                         | 9.42     |
| <b>DN260/105-5; DN300/175-5, DN360/205-5</b> |                  |                                |          |
| 5                                            | C154,050,101.43  | Fluorescent Lamp Panel Assy.   | 39.89    |
| 6                                            | 904,800,060.01   | Starter                        | .27      |
| 7                                            | A172,150,090.03  | Gutter                         | .30      |
| 8                                            | 904,400,030.01   | Ballast                        | 1.33     |
| 9                                            | 804,700,050.01   | Fluorescent Lamp               | 1.71     |
| 22                                           | C172,150,600.13  | Cash Box W/A                   | 4.50     |

WHEN ORDERING PARTS INDICATE MODEL # AND SERIAL # OF VENDER.  
ALL PRICES ARE SUBJECT TO CHANGE WITHOUT NOTICE.

INNER DOOR



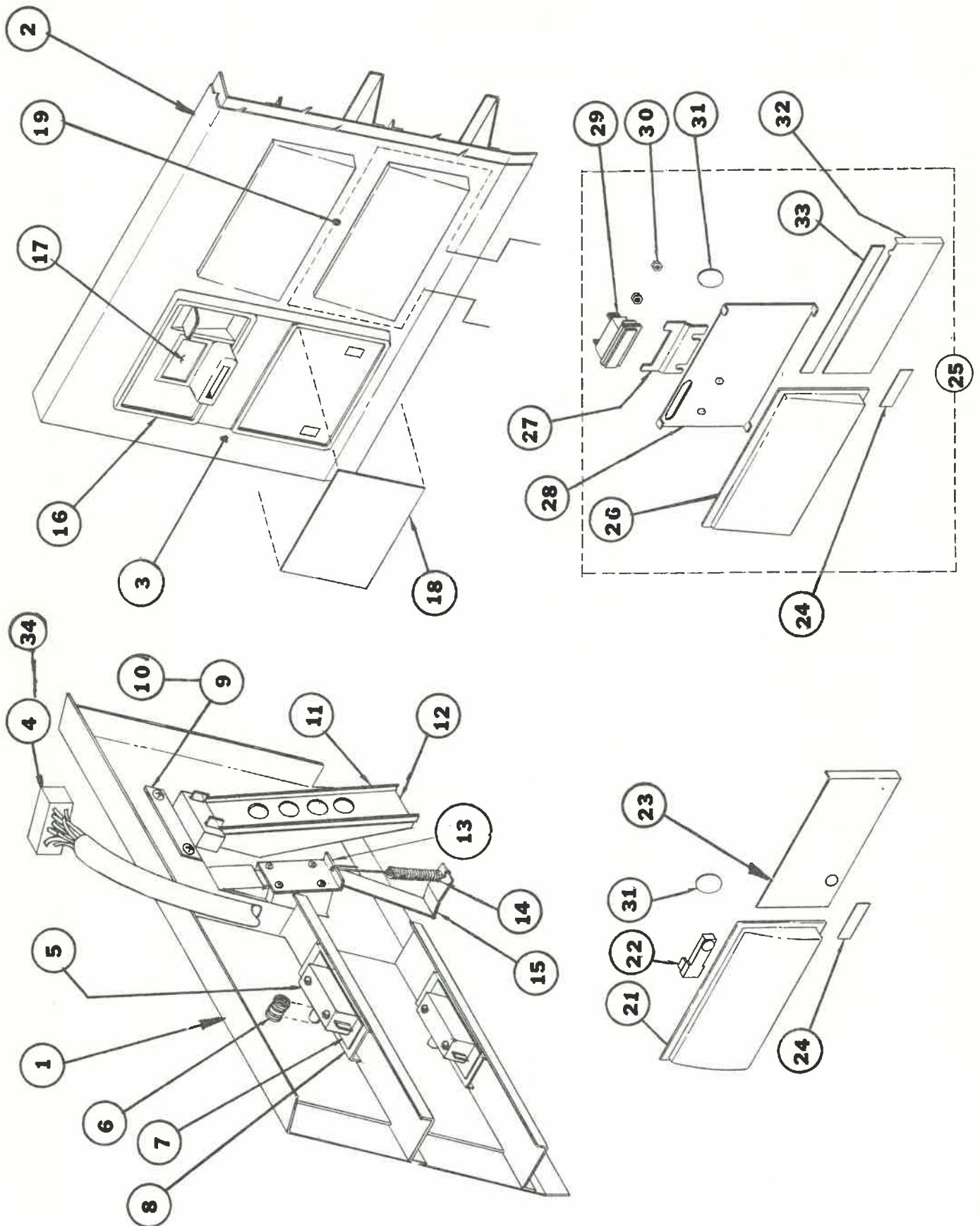
## INNER DOOR

| ITEM NO.                                     | PART NUMBER     | PART NAME AND DESCRIPTION         | PRICE    |
|----------------------------------------------|-----------------|-----------------------------------|----------|
| ALL DIXIE-NARCO 6-PRODUCT RED CAM ADAPTABLES |                 |                                   |          |
| 5                                            | C166,161,901.03 | Fluorescent Lamp Panel Assy.      | \$ 17.28 |
| 6                                            | 804,800,410.01  | Starter                           | .80      |
| 7                                            | A176,150,320.03 | Gutter                            | .40      |
| 8                                            | 804,400,100.01  | Ballast                           | 1.59     |
| 9                                            | 804,700,150.01  | Fluorescent Lamp                  | 3.58     |
| 22                                           | B176,151,100.13 | Cash Box W/A                      | 4.75     |
| ALL DIXIE-NARCO RED CAM ADAPTABLES           |                 |                                   |          |
| 10                                           | 900,300,040.01  | Screw, S/M #8 x 3/4               | .05      |
| 11                                           | 904,900,710.01  | Starter Socket                    | .27      |
| 12                                           | 900,300,340.01  | Screw, S/M #8 x 1/2               | .05      |
| 13                                           | 900,301,500.01  | Screw, Self-Drilling #8 x 1/2     | .05      |
| 14                                           | 904,901,230.01  | Lamp Holder                       | .27      |
| 15                                           | A164,150,571.23 | Wire Cover                        | .20      |
| 16                                           | 900,600,230.02  | Screw, S/M #8 x 1/2               | .05      |
| 17                                           | A208,051,500.03 | Sign Lead Assembly                | .55      |
| 18                                           | 904,600,710.01  | Mate-N-Lok Plug                   | .18      |
| 19                                           | A176,150,210.33 | Angle Coin Chute                  | .30      |
| 20                                           | 900,201,220.11  | Screw, Machine, #8-32 x 3/4       | .13      |
| 21                                           | B801,803,690.61 | Change Hopper                     | 1.33     |
| 23                                           | A176,150,240.13 | Coin Deflector                    | .59      |
| 24                                           | A900,500,260.01 | Shoulder Screw                    | .40      |
| 25                                           | 900,201,230.01  | Carriage Bolt                     | .07      |
| 26                                           | 901,901,360.01  | Snap Bushing                      | .07      |
| 27                                           | 901,501,700.01  | Knob                              | .40      |
| 28                                           | B176,150,290.23 | Bracket, Relay Box                | 2.60     |
| 29                                           | 904,600,600.01  | Coin Changer Socket               | .60      |
| 30                                           | 904,600,620.01  | Relay Socket - plug-in type relay | .36      |
| 31                                           | 804,200,170.01  | Relay - plug in type              | 3.72     |
| 32                                           | 900,301,500.01  | Screw, Self Drilling #8 x 1/2     | .05      |
| 33                                           | C801,803,960.01 | Frame, Discharge Port             | 2.97     |
| 34                                           | 901,100,460.01  | Pop Rivet                         | .07      |
| 35                                           | 901,803,710.01  | Nyliner                           | .17      |
| 36                                           | A169,051,101.33 | Bottom Hinge - Inner Door         | 1.32     |
| 37                                           | A169,053,000.93 | Top Hinge - Inner Door            | 1.32     |
| 39                                           | A169,053,100.53 | Burst Open Latch W/A              | 1.99     |
| 40                                           | 804,200,140.01  | Relay - open type                 | 4.79     |
| 41                                           | C213,050,800.03 | Relay Box Assembly                | 7.25     |

Order items 40 or 41 for Venders serialized under 2052251

WHEN ORDERING PARTS INDICATE MODEL # AND SERIAL # OF VENDER.  
ALL PRICES ARE SUBJECT TO CHANGE WITHOUT NOTICE.

SELECTOR PANEL



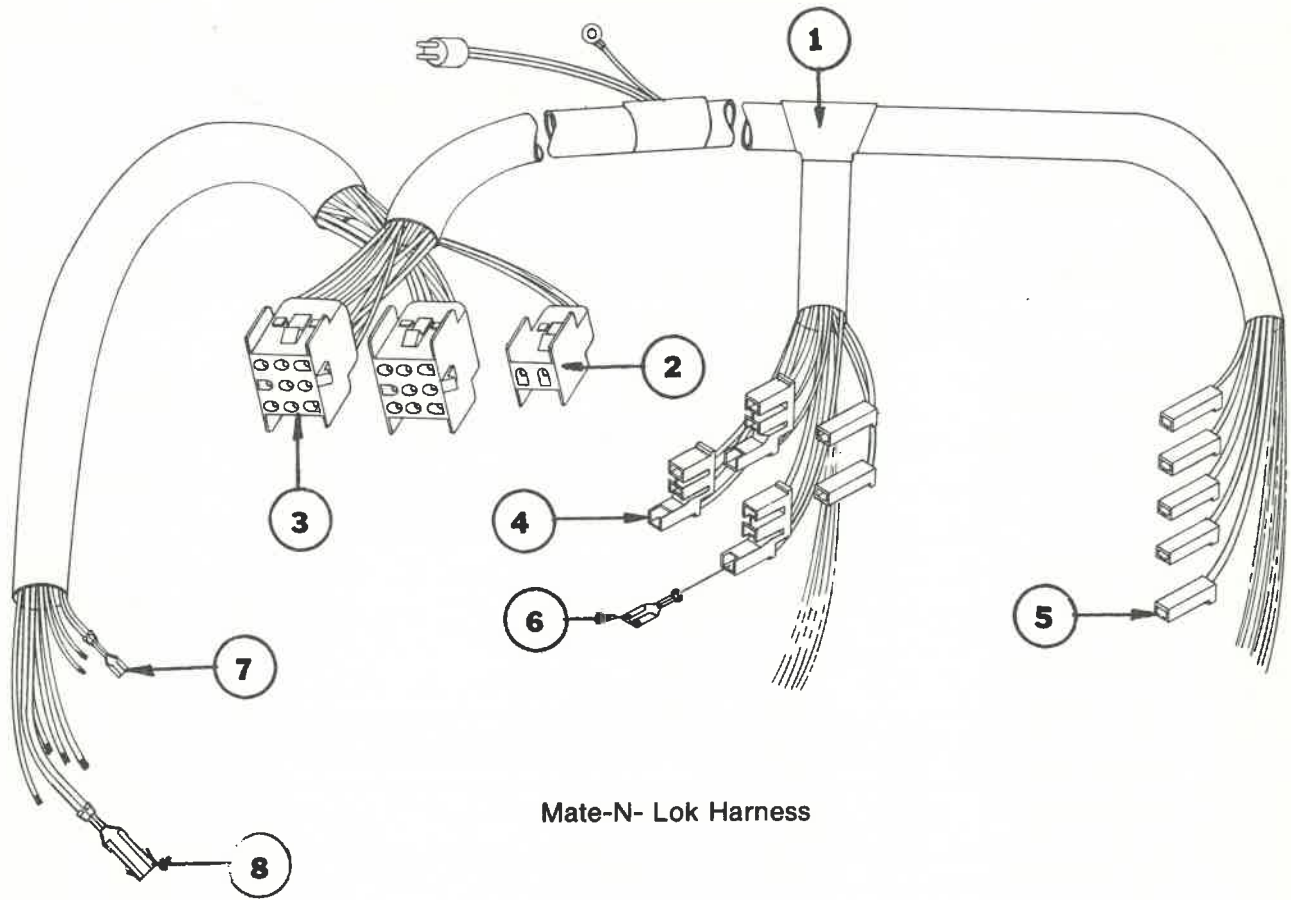
**SELECTOR PANEL**

| ITEM NO.                                            | PART NUMBER     | PART NAME AND DESCRIPTION         | PRICE    |
|-----------------------------------------------------|-----------------|-----------------------------------|----------|
| <b>ALL DIXIE-NARCO 5-PRODUCT RED CAM ADAPTABLES</b> |                 |                                   |          |
| 1                                                   | D169,050,701.33 | Selector Panel Assembly           | \$ 93.07 |
| 2                                                   | C208,050,800.13 | Selector Panel W/A                | 26.60    |
| 3                                                   | D169,050,090.83 | Cover, Selector Panel             | 6.65     |
| 4                                                   | C208,052,000.03 | Wiring Harness - Selector Panel   | 12.76    |
| <b>ALL DIXIE-NARCO 6-PRODUCT RED CAM ADAPTABLES</b> |                 |                                   |          |
| 1                                                   | D164,150,700.83 | Selector Panel Assembly           | 106.37   |
| 2                                                   | C164,150,600.33 | Selector Panel W/A                | 29.26    |
| 3                                                   | D164,150,090.53 | Cover, Selector Panel             | 7.31     |
| 4                                                   | C211,052,200.03 | Wiring Harness - Selector Panel   | 13.68    |
| <b>ALL DIXIE-NARCO RED CAM ADAPTABLES</b>           |                 |                                   |          |
| 5                                                   | 804,100,440.01  | Select Switch                     | .87      |
| 6                                                   | A901,700,430.01 | Spring, Select Switch             | .07      |
| 7                                                   | 905,800,400.01  | Insulator - Switch                | .05      |
| 8                                                   | A208,050,150.73 | Support - Switch                  | .53      |
| 9                                                   | A143,051,220.73 | Retainer - Coin Insert            | .27      |
| 10                                                  | 900,300,160.01  | Screw S/M #6 x 1/2                | .06      |
| 11                                                  | C801,803,620.21 | Coin Chute                        | .53      |
| 12                                                  | B801,803,630.01 | Cover, Coin Chute                 | .27      |
| 13                                                  | A208,050,120.33 | Retainer - Coin Plunger           | .12      |
| 14                                                  | A901,700,630.01 | Spring - Coin Plunger             | .47      |
| 15                                                  | B801,303,510.11 | Coin Return Plunger               | 1.70     |
| 16                                                  | D801,200,920.21 | Coin Insert                       | 4.27     |
| 17                                                  | A904,700,180.11 | Correct Change Lamp               | 1.59     |
| 18                                                  | 903,809,320.01  | Instruction Label (Specify price) | .40      |
| 19                                                  | 901,100,500.01  | Blind Rivet                       | .05      |
| 21                                                  | A801,803,890.01 | Select Button Assembly            | 2.10     |
| 22                                                  | 804,700,210.01  | Sold Out Lamp                     | .53      |
| 23                                                  | 903,807,690.01  | Flavor Strip (Specify Flavor)     | .40      |
| 24                                                  | A903,805,040.01 | Strip 12 oz. Cans                 | .16      |
| 25                                                  | B120,090,400.93 | Select Button Assembly            | 3.99     |
| 26                                                  | C801,802,080.01 | Select Button                     | 1.86     |
| 27                                                  | A801,303,100.21 | Bracket, Sold Out Lamp            | .27      |
| 28                                                  | B120,092,300.83 | Assembly Backing Plate            | 1.02     |
| 29                                                  | 804,700,160.01  | Sold Out Lamp                     | .80      |
| 30                                                  | 900,800,600.01  | Keys Nut 6-32                     | .05      |
| 31                                                  | 903,806,020.01  | Numbers Label                     | .46      |
| 32                                                  | 903,806,050.01  | Product Card                      | .40      |
| 33                                                  | A903,804,590.01 | Sold Out Strip                    | .57      |
| <b>ALL DIXIE-NARCO 5-PRODUCT RED CAM ADAPTABLES</b> |                 |                                   |          |
| 34                                                  | C208,051,200.73 | Wiring Harness, Selector Panel    | 10.63    |
| <b>ALL DIXIE-NARCO 6-PRODUCT RED CAM ADAPTABLES</b> |                 |                                   |          |
| 34                                                  | C211,051,200.73 | Wiring Harness, Selector Panel    | 11.40    |

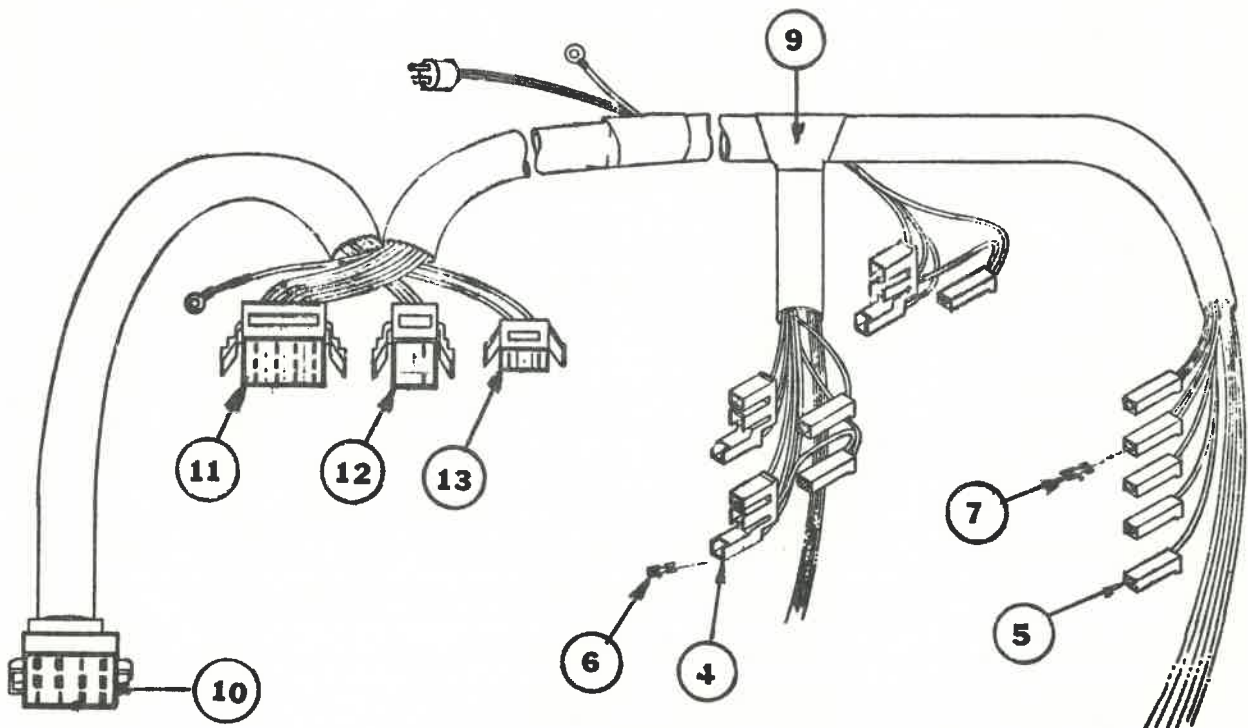
Order items 21 through 24 for Venders serialized 001-2106 and higher.  
 Order items 25 through 33 for Venders serialized under 001-2106.  
 Order item 34 for Venders serialized under 2052251.

**WHEN ORDERING PARTS, INDICATE MODEL # AND SERIAL # OF VENDER.  
 ALL PRICES ARE SUBJECT TO CHANGE WITHOUT NOTICE.**

WIRING HARNESS — DOOR & CABINET



Mate-N- Lok Harness



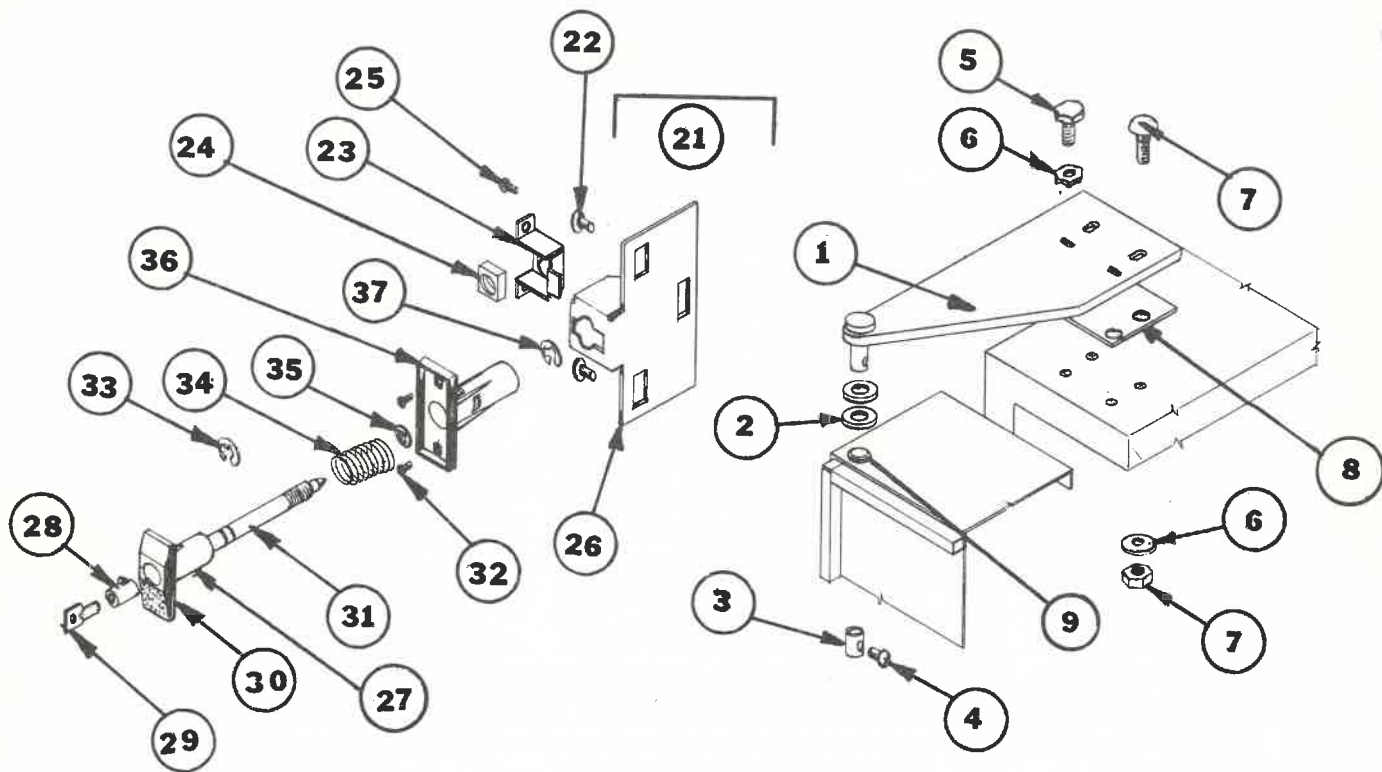
Amp Lok Harness

**WIRING HARNESS-DOOR AND CABINET**

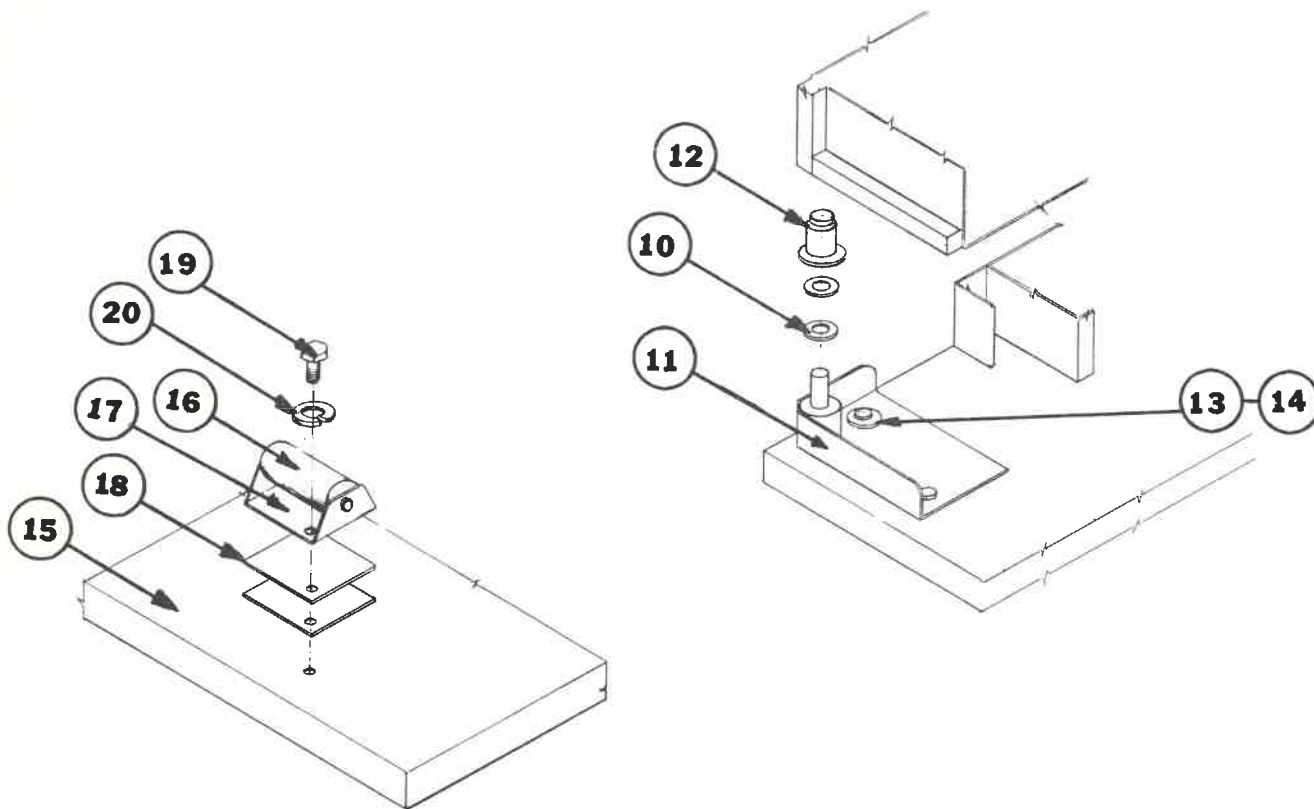
| ITEM NO. | PART NUMBER     | PART NAME AND DESCRIPTION                                      | PRICE    |
|----------|-----------------|----------------------------------------------------------------|----------|
|          |                 | ALL DIXIE-NARCO 5-PRODUCT RED CAM ADAPTABLES                   |          |
| 1        | D208,070,200.33 | Wiring Harness, Door & Cabinet                                 | \$ 33.24 |
|          |                 | ALL DIXIE-NARCO 6-PRODUCT RED CAM ADAPTABLES                   |          |
| 1        | 211,070,200.33  | Wiring Harness, Door & Cabinet                                 | 33.24    |
|          |                 | ALL DIXIE-NARCO RED CAM ADAPTABLES                             |          |
| 2        | 904,600,700.01  | Mate-N-Lok Cap, 2-way                                          | .12      |
| 3        | 904,600,660.01  | Mate-N-Lok Cap, 9-way                                          | .17      |
| 4        | 904,600,560.01  | Receptacle Housing (.187)                                      | .25      |
| 5        | 904,600,040.01  | Receptacle Housing (.250)                                      | .08      |
| 6        | 904,600,520.01  | Faston Receptacle (.187)                                       | .08      |
| 7        | 904,600,530.01  | Faston Receptacle (.187) 2 wire                                | .05      |
| 8        | 904,600,380.01  | Faston Receptacle (.250) 2 wire                                | .08      |
|          |                 | Order item 1 through 8 for venders serialized 2052001 & higher |          |
|          |                 | ALL DIXIE-NARCO 5-PRODUCT RED CAM ADAPTABLES                   |          |
| 9        | 172,070,600.53  | Wiring Harness, Door & Cabinet                                 | 33.24    |
|          |                 | ALL DIXIE-NARCO 6-PRODUCT RED CAM ADAPTABLES                   |          |
| 9        | 164,070,601.53  | Wiring Harness, Door & Cabinet                                 | 33.24    |
|          |                 | ALL DIXIE-NARCO RED CAM ADAPTABLES                             |          |
| 10       | 904,600,340.01  | Amp Loc Cap, 12 way                                            | .29      |
| 11       | 904,600,330.01  | Amp Loc Plug, 12 way                                           | .29      |
| 12       | 904,600,130.01  | Amp Loc Plug, 6 way                                            | .29      |
| 13       | 904,600,470.01  | Amp Loc Plug, 3 way                                            | 14       |

Order item 9 through 13 for venders serialized under 2052251

WHEN ORDERING PARTS, INDICATE MODEL # AND SERIAL # OF VENDER.  
ALL PRICES ARE SUBJECT TO CHANGE WITHOUT NOTICE.



Chicago Tee Handle Lock Assembly

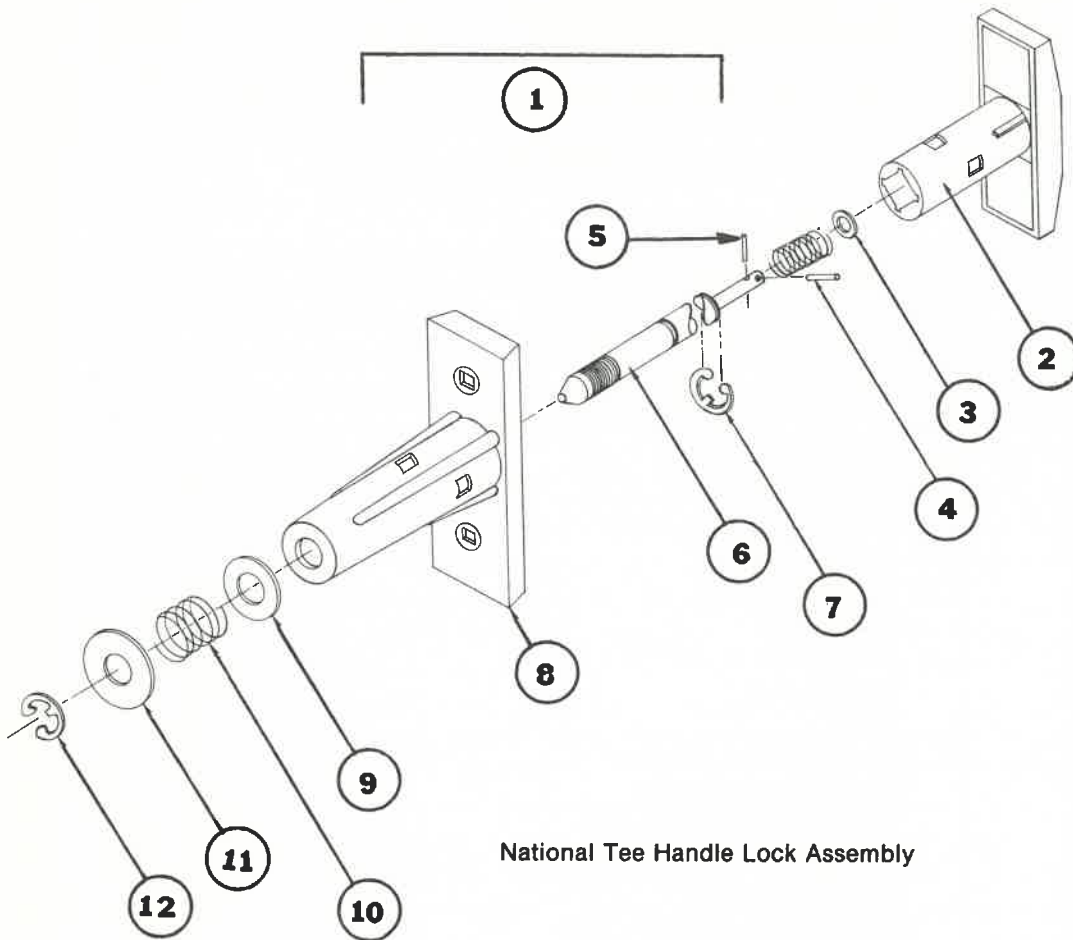




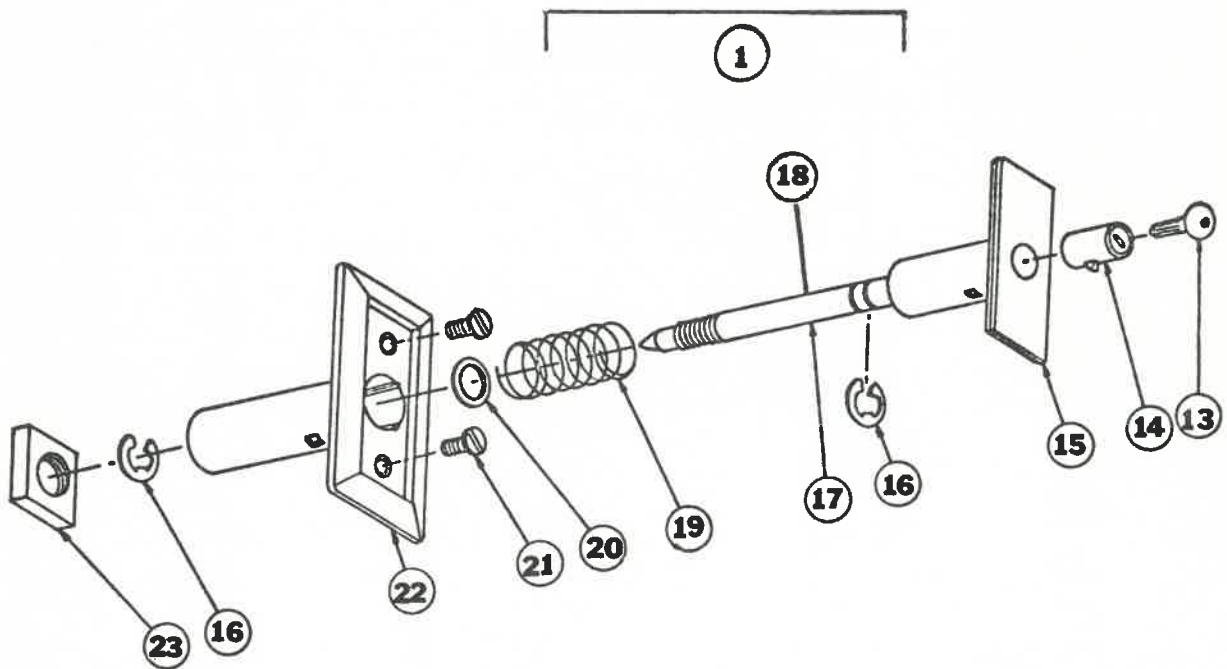
## HINGES AND HANDLE

| ITEM NO.                           | PART NUMBER     | PART NAME AND DESCRIPTION     | PRICE   |
|------------------------------------|-----------------|-------------------------------|---------|
| ALL DIXIE-NARCO RED CAM ADAPTABLES |                 |                               |         |
| 1                                  | B801,501,710.31 | Top Hinge                     | \$ 3.99 |
| 2                                  | 900,700,600.01  | Flat Washer                   | .05     |
| 3                                  | A800,502,030.01 | Collar - Hinge Pin            | .47     |
| 4                                  | A900,201,260.01 | Lock Screw                    | .17     |
| 5                                  | 900,900,470.02  | Cap Screw                     | .05     |
| 6                                  | 903,000,070.02  | Lockwasher, 1/4-20            | .05     |
| 7                                  | 900,201,170.01  | Carriage Bolt and Nut         | .07     |
| 8                                  | A169,000,150.13 | Hinge Spacer                  | 1.00    |
| 9                                  | 801,803,170.01  | Bearing Nyliner               | .08     |
| 10                                 | 900,700,530.01  | Washer                        | .08     |
| 11                                 | B169,000,100.93 | Bottom Hinge, W/A             | 3.99    |
| 12                                 | A901,800,330.51 | Flanged Bushing               | .13     |
| 13                                 | 900,700,710.01  | Lockwasher                    | .08     |
| 14                                 | 900,900,470.02  | Screw Machine, 1/4 x 20 x 3/4 | .05     |
| 15                                 | C142,160,570.73 | Scuff Plate                   | 2.12    |
| 16                                 | A801,801,330.51 | Roller                        | .80     |
| 17                                 | A142,161,700.63 | Assembly Lifter and Roller    | 3.19    |
| 18                                 | A142,160,580.43 | Spacer - Roller Bracket       | .29     |
| 19                                 | 900,200,290.01  | Screw, Machine 10-24 x 3/4    | .09     |
| 20                                 | 903,000,170.02  | Lockwasher                    | .05     |
| 21                                 | B169,000,080.83 | Latch Strike Assy.            | 4.66    |
| 22                                 | 900,902,090.02  | Screw, Machine, 10-32 x 1-1/2 | .13     |
| 23                                 | B801,303,320.51 | Nut - Housing                 | .53     |
| 24                                 | A900,800,570.11 | Nut                           | .40     |
| 25                                 | 900,200,390.01  | Screw, Sems                   | .06     |
| 26                                 | B176,150,160.33 | Nut Retainer Housing          | 1.10    |
| 27                                 | 801,501,860.31  | Pull Out Handle (complete)    | 5.98    |
| 28                                 | 801,501,470.01  | Lock w/2 keys                 | 5.85    |
| 29                                 |                 | Key (Specify Number)          | .40     |
| 30                                 | 4265-1          | Handle                        | 2.33    |
| 31                                 | 4255-6-43W      | Bolt - threaded, long         | 1.59    |
| 32                                 | 900,901,510.02  | Screw, 10-32 x 5/8            | .08     |
| 33                                 | 31-5            | C-Clip                        | .13     |
| 34                                 | 901,700,640.01  | Spring                        | .21     |
| 35                                 | 900,700,760.01  | Washer                        | .13     |
| 36                                 | 4265-2          | Body                          | 2.33    |
| 37                                 | 31-5            | C-Clip                        | .13     |

WHEN ORDERING PARTS INDICATE MODEL # AND SERIAL # OF VENDER.  
ALL PRICES ARE SUBJECT TO CHANGE WITHOUT NOTICE.



National Tee Handle Lock Assembly



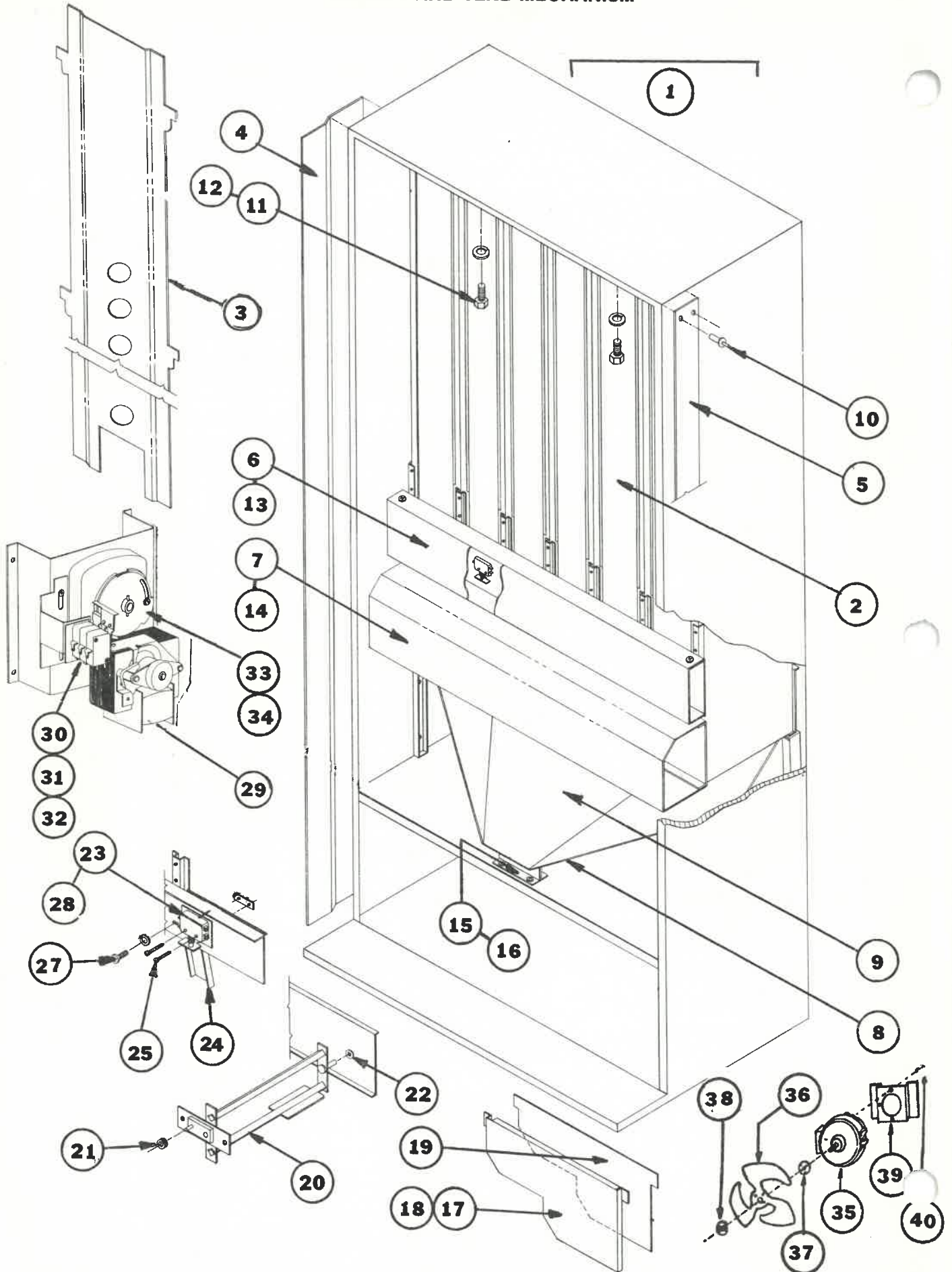
Chicago Tee Handle Lock Assembly

**PULL-OUT HANDLE**

| ITEM NO. | PART NUMBER     | PART NAME AND DESCRIPTION                 | PRICE   |
|----------|-----------------|-------------------------------------------|---------|
|          |                 | <b>ALL DIXIE-NARCO RED CAM ADAPTABLES</b> |         |
| 1        | 801,501,860.31  | Pull out handle (complete)                | \$ 5.98 |
| 2        | NI-0472-103-6   | Handle                                    |         |
| 3        | NI-0472-255     | Spring Support Washer                     |         |
| 4        | NI-0472-256     | Pin                                       |         |
| 5        | NI-0472-254     | Pin                                       |         |
| 6        | NI-0472-253-1   | Spindle                                   |         |
| 7        | NI-0472-132-1   | Retaining Ring                            |         |
| 8        | NI-0472-102-6   | Handle Pocket                             |         |
| 9        | NI-0472-133-1   | Inside Washer                             |         |
| 10       | NI-0472-255-1   | Spring                                    |         |
| 11       | NI-0472-129-1   | Washer                                    |         |
| 12       | NI-0472-132-1   | Retaining Ring                            |         |
| 13       |                 | Key, Specify Key Number                   | .40     |
| 14       | 801,501,470.01  | Lock w/2 keys                             | 5.85    |
| 15       | 4265-1          | Handle                                    | 2.33    |
| 16       | 31-5            | C-Clip                                    | .13     |
| 17       | 4255-6-38W      | Bolt Threaded - Long                      | 1.59    |
| 18       | 4255-6-41W      | Bolt Threaded - Short                     | 1.59    |
| 19       | 901,700,640.01  | Spring                                    | .21     |
| 20       | 900,700,760.01  | Washer                                    | .13     |
| 21       | 900,901,510.02  | Screw, Machine, 10-32 x 5/8               | .08     |
| 22       | 4265-2          | Body                                      | 2.33    |
| 23       | A900,800,570.11 | Nut, Square, 1/2 x 13                     | .40     |

WHEN ORDERING PARTS, INDICATE MODEL # AND SERIAL # OF VENDER.  
ALL PRICES ARE SUBJECT TO CHANGE WITHOUT NOTICE.

# CABINET AND VEND MECHANISM

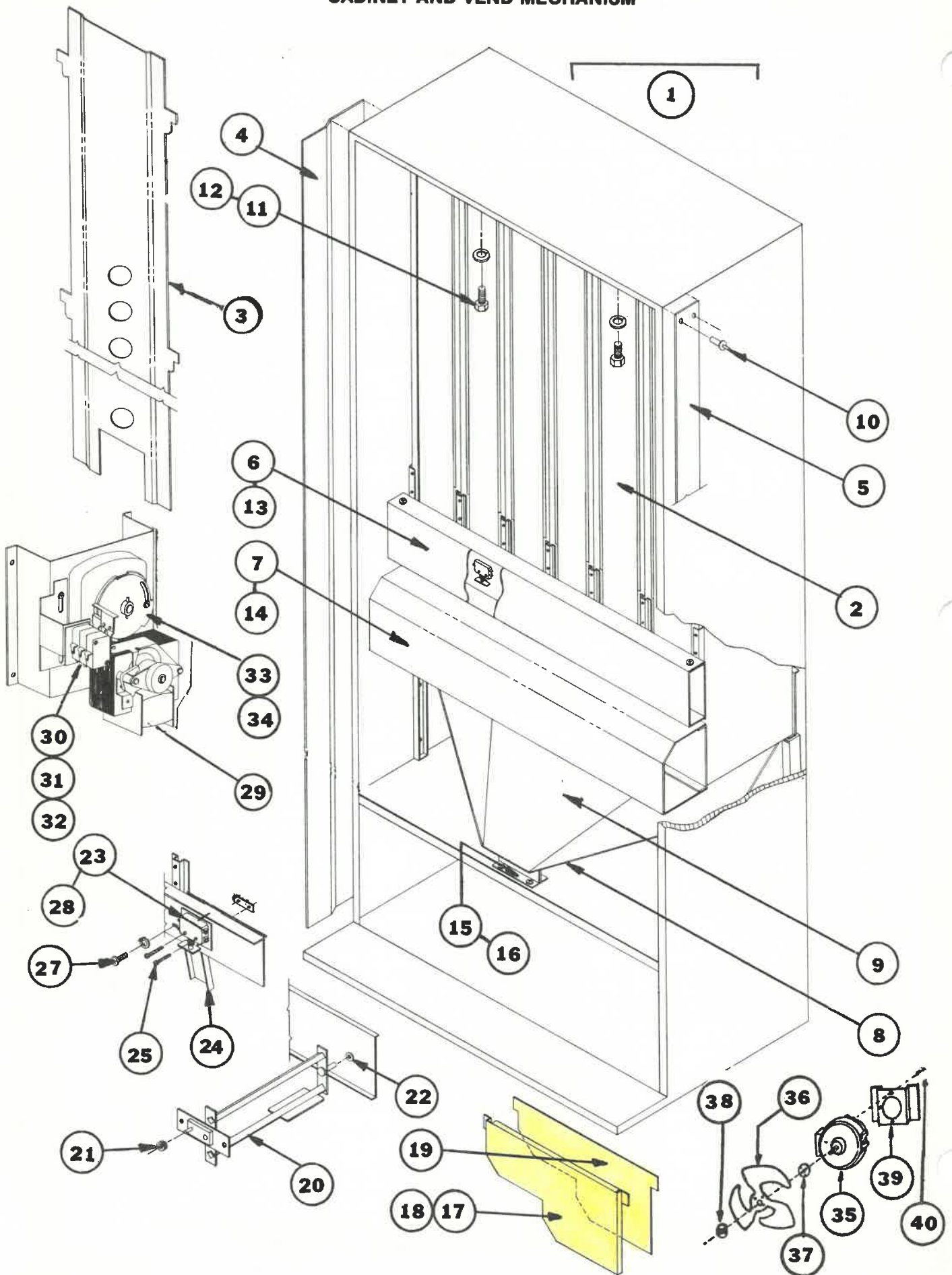


**CABINET AND VEND MECHANISM**

| ITEM NO. | PART NUMBER      | PART NAME AND DESCRIPTION   | PRICE    |
|----------|------------------|-----------------------------|----------|
|          |                  | DN180/105-5                 |          |
| 1        | D154,060,001.73  | Cabinet Assy. Less Stack    | \$174.48 |
| 2        | F215,072,000.03C | Vend Mechanism Assembly     | 250.88   |
| 3        | C173,070,400.13  | Bottle Guide Assembly       | 4.65     |
| 4        | C168,000,030.83  | Protective Plate L. Side    | 13.65    |
| 5        | B168,000,040.83  | Protective Plate, R. Side   | 11.98    |
|          |                  | DN260/150-5                 |          |
| 1        | D155,060,001.73  | Cabinet Assy. Less Stack    | 186.16   |
| 2        | F215,072,000.03B | Vend Mechanism Assembly     | 275.88   |
|          |                  | DN300/175-5                 |          |
| 1        | D125,060,000.23  | Cabinet Assy. Less Stack    | 202.06   |
| 2        | F215,072,000.03D | Vend Mechanism Assembly     | 300.88   |
|          |                  | DN360/205-5                 |          |
| 1        | D156,060,001.53  | Cabinet Assy. Less Stack    | 212.74   |
| 2        | F215,072,000.03A | Vend Mechanism Assembly     | 325.88   |
|          |                  | DN312/180-6                 |          |
| 1        | D166,060,001.13  | Cabinet Assy. Less Stack    | 178.69   |
| 2        | F176,072,000.03C | Vend Mechanism Assembly     | 312.73   |
|          |                  | DN360/210-6                 |          |
| 1        | D165,060,001.23  | Cabinet Assy. Less Stack    | 193.60   |
| 2        | F176,072,000.03B | Vend Mechanism Assembly     | 357.41   |
|          |                  | DN432/246-6                 |          |
| 1        | D164,060,001.23  | Cabinet Assy. Less Stack    | 208.49   |
| 2        | F176,072,000.03A | Vend Mechanism Assembly     | 402.08   |
|          |                  | DN260/150-5 and DN312/180-6 |          |
| 3        | C172,070,400.53  | Bottle Guide Assembly       | 5.06     |
| 4        | C166,000,030.93  | Protective Plate, L. Side   | 17.12    |
| 5        | B166,000,040.83  | Protective Plate, R. Side   | 13.42    |
|          |                  | DN300/175-5 and DN360/210-6 |          |
| 3        | C165,073,500.63  | Bottle Guide Assembly       | 7.53     |
| 4        | C165,000,030.73  | Protective Plate L. Side    | 15.29    |
| 5        | B165,000,040.73  | Protective Plate, R. Side   | 11.98    |
|          |                  | DN360/205-5 and DN432/246-6 |          |
| 3        | C164,073,500.73  | Bottle Guide Assembly       | 7.98     |
| 4        | C164,000,030.93  | Protective Plate, L. Side   | 15.29    |
| 5        | B164,000,040.93  | Protective Plate, R. Side   | 11.98    |

WHEN ORDERING PARTS, INDICATE MODEL # AND SERIAL # OF VENDER.  
ALL PRICES ARE SUBJECT TO CHANGE WITHOUT NOTICE.

CABINET AND VEND MECHANISM

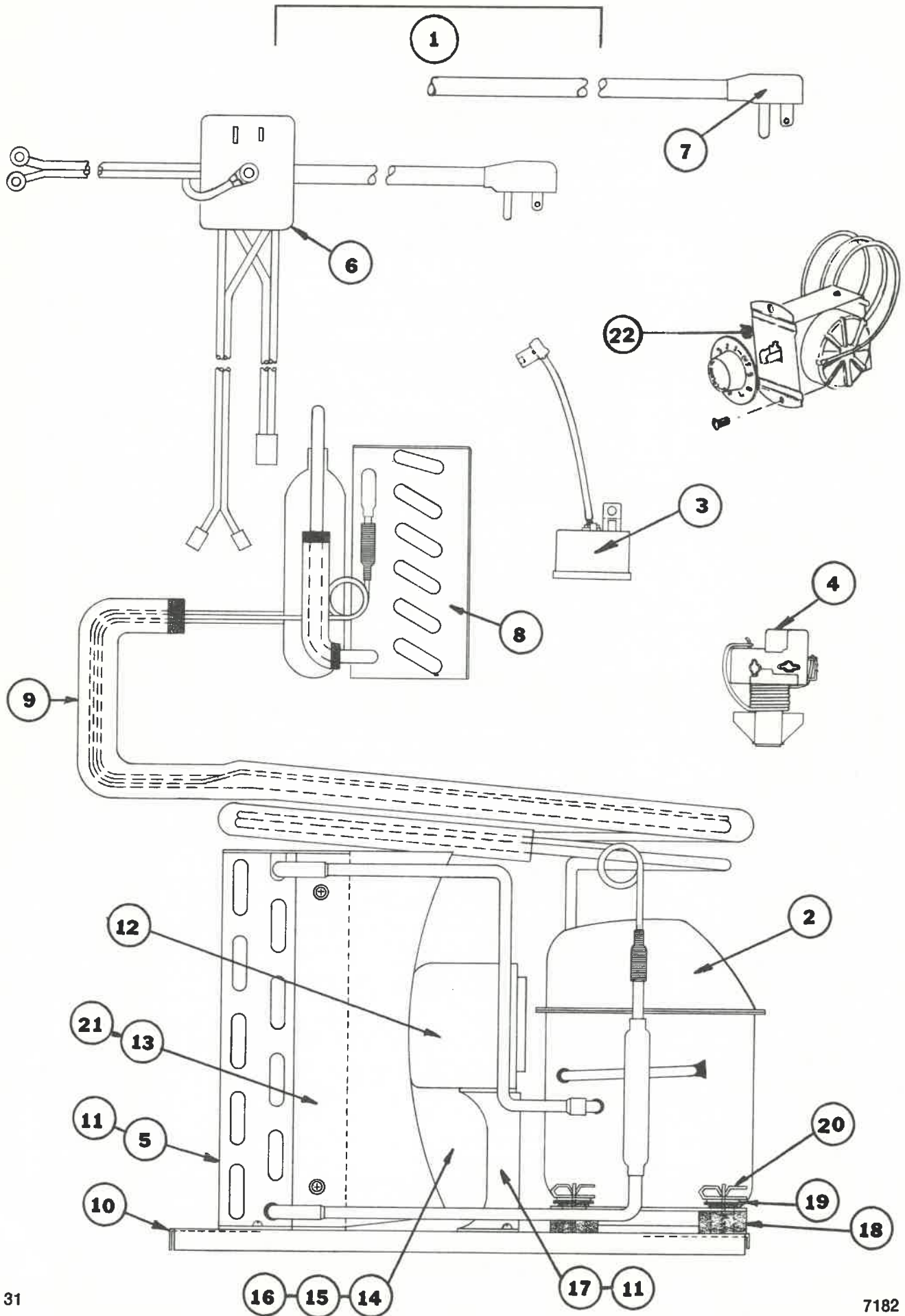


**CABINET AND VEND MECHANISM**

| ITEM NO.                                            | PART NUMBER      | PART NAME AND DESCRIPTION        | PRICE   |
|-----------------------------------------------------|------------------|----------------------------------|---------|
| <b>ALL DIXIE-NARCO 5-PRODUCT RED CAM ADAPTABLES</b> |                  |                                  |         |
| 6                                                   | B172,070,700.33  | Cover, Sold Out Switches S/A     | \$ 2.66 |
| 7                                                   | C179,070,250.23  | Cover, vend motor                | 5.70    |
| 8                                                   | C208,070,100.43  | Can & Bottle Chute Assembly      | 13.06   |
| 9                                                   | D208,070,020.43  | Liner - Can & Bottle Chute       | 5.34    |
| <b>ALL DIXIE-NARCO 6-PRODUCT RED CAM ADAPTABLES</b> |                  |                                  |         |
| 6                                                   | B176,070,700.03  | Cover, Sold Out Switches S/A     | 2.66    |
| 7                                                   | C176,070,250.33  | Cover, vend motor                | 5.70    |
| 8                                                   | C211,070,100.13  | Can & Bottle Chute Assembly      | 13.65   |
| 9                                                   | D211,070,020.23  | Liner - Can & Bottle Chute       |         |
| <b>ALL DIXIE-NARCO RED CAM ADAPTABLES</b>           |                  |                                  |         |
| 10                                                  | 901,100,440.01   | Drive Rivet, 1/4                 | .27     |
| 11                                                  | 900,900,470.01   | Screw, Machine 1/4-20 x 3/4      | .05     |
| 12                                                  | 903,000,070.02   | Lockwasher                       | .05     |
| 13                                                  | 900,301,560.01   | Screw, Machine 8-32 x 3/8        | .06     |
| 14                                                  | 900,201,130.01   | Screw, Machine 8-32 x 5/16       | .06     |
| 15                                                  | B147,074,400.73  | Bracket - Chute                  | 1.32    |
| 16                                                  | 900,900,960.02   | Hex Nut - 10-32                  | .06     |
| 17                                                  | B172,070,260.23  | Right Formed Shim (R.H. shown)   | .97     |
| 18                                                  | B172,070,250.23  | Left Formed Shim (L.H. opposite) | .97     |
| 19                                                  | B172,070,240.43  | Flat Shim                        | .67     |
| 20                                                  | C176,072,300.13  | Oscillator Assembly operator     | 19.95   |
| 21                                                  | 901,803,750.01   | Nyliner                          | .08     |
| 22                                                  | 801,803,170.01   | Nyliner                          | .08     |
| 23                                                  | 804,100,410.01   | Switch, Sold-Out                 | 2.12    |
| 24                                                  | B164,070,100.33  | Paddle, Sold-Out Switch          | 1.19    |
| 25                                                  | 900,301,530.01   | Screw, S/M #4 x 1                | .06     |
| 27                                                  | 900,301,560.01   | Screw Machine #8 x 3/8           | .06     |
| 28                                                  | A905,800,390.21  | Switch insulator                 | .05     |
| 29                                                  | C179,070,600.13  | Vend Motor - S/A                 | 14.00   |
| 30                                                  | A147,070,290.33  | Vend Motor Switch (single)       | 1.99    |
| 31                                                  | B804,100,460.01  | Cam Hold & bypass switches       | 3.13    |
| 32                                                  | 905,800,330.01   | Insulator - Spacer               | .05     |
| 33                                                  | C801,804,090.01  | Vend Motor Cam                   | .29     |
| 34                                                  | C801,804,000.01  | Adjustable Cam                   | .18     |
| 35                                                  | B143,000,301.03  | Evaporator Fan Motor S/A         | 15.95   |
| 36                                                  | 901,303,270.01   | Fan Blade                        | .92     |
| 37                                                  | 900,100,970.02-2 | Silencer                         | .05     |
| 38                                                  | 900,100,970.02-1 | Speed Nut                        | .08     |
| 39                                                  | B164,040,080.63  | Bracket, Fan Motor               | .67     |
| 40                                                  | 900,300,320.01   | Screw, Self Tapping 10-24        | .05     |

WHEN ORDERING PARTS, INDICATE MODEL # AND SERIAL # OF VENDER.  
ALL PRICES ARE SUBJECT TO CHANGE WITHOUT NOTICE.

REFRIGERATION SYSTEM





**REFRIGERATION SYSTEM**

| ITEM NO.                                                                  | PART NUMBER       | PART NAME AND DESCRIPTION       | PRICE    |
|---------------------------------------------------------------------------|-------------------|---------------------------------|----------|
| <b>DN180/105-5 and DN260/150-5</b>                                        |                   |                                 |          |
| 1                                                                         | D142,040,002.23   | Refrigeration System complete   | \$ 93.75 |
| 2                                                                         | 802,500,110.01    | Compressor, Model AE3430A Tec.  | 69.14    |
| 3                                                                         | 83458             | Overload for AE3430A compressor | 2.07     |
| *                                                                         | (SPMRP-26 ALL-34) | Overload for AE3430A compressor |          |
| 4A                                                                        | 82684             | Relay for AE3430A compressor    | 4.01     |
| *                                                                         | (SP9660-040-176)  | Relay for AE3430A compressor    |          |
| 4B                                                                        | 82483             | Relay for AE3430A compressor    | 2.46     |
| *                                                                         | (GE3ARR12-PB162)  | Relay for AE3430A compressor    |          |
| 5                                                                         | C808,600,540.92   | Condenser                       | 11.44    |
| <b>DN300/175-5, DN360-205-5, DN312/180-6, DN360-210-6 and DN432/246-6</b> |                   |                                 |          |
| 1                                                                         | D143,040,402.03   | Refrigeration system complete   | 98.75    |
| 2                                                                         | 802,500,170.01    | Compressor, Model AE3440A Tec.  | 79.37    |
| 3                                                                         | Tec8300MRTA78     | Overload for AE3440A compressor | 2.19     |
| *                                                                         | (SPMRT-22AIN-34)  | Overload for AE3440A compressor |          |
| 4A                                                                        | Tec8209660A09     | Relay for AE3440A compressor    | 2.54     |
| *                                                                         | (SP9660-040-182)  | Relay for AE3440A compressor    |          |
| 4B                                                                        | 820RR12A10        | Relay for AE3440A compressor    | 2.60     |
| *                                                                         | (GE3ARR12-PB220)  | Relay for AE3440A compressor    |          |
| 5                                                                         | D808,700,090.42   | Condenser                       | 14.82    |
| <b>ALL DIXIE-NARCO RED CAM ADAPTABLES</b>                                 |                   |                                 |          |
| 6                                                                         | C804,900,601.51   | Main Wiring Harness             | 7.12     |
| 7                                                                         | A904,900,610.81   | Compressor lead w/plug          | 1.71     |
| 8                                                                         | B802,600,370.51   | Evaporator                      | 18.61    |
| 9                                                                         | 903,300,530.01    | Insulator tube                  | .15/ft.  |
| 10                                                                        | C164,040,120.43   | Base plate - condensing unit    | 5.00     |
| 11                                                                        | 900,301,560.01    | Screw, Sems                     | .05      |
| 12                                                                        | 802,302,120.02    | Fan Motor                       | 11.98    |
| 13                                                                        | 902,100,160.02    | Shroud                          | .67      |
| 14                                                                        | 900,103,370.02    | Fan Blade                       | .93      |
| 15                                                                        | 900,100,970.02-2  | Silencer                        | .05      |
| 16                                                                        | 900,100,970.02-1  | Speed Nut                       | .08      |
| 17                                                                        | 900,102,970.02    | Fan Bracket                     | .40      |
| 18                                                                        | 902,000,570.01    | Grommet, compressor mounting    | .13      |
| 19                                                                        | A901,803,910.11   | Plug, compressor grommet        | .06      |
| 20                                                                        | A900,901,880.01   | Retainer Clip, comp. mtg.       | .06      |
| 21                                                                        | 900,300,160.01    | Screw, S/M #6 x 3/8             | .06      |
| 22                                                                        | 802,800,090.01    | Temperature control             | 7.19     |

\* Relative to Relays & Overloads, the numbers that appear in parenthesis ( ) are always stamped on the Relay and Overload. Either number can be used for ordering purposes.

WHEN ORDERING PARTS, INDICATE MODEL # AND SERIAL # OF VENDOR.  
ALL PRICES ARE SUBJECT TO CHANGE WITHOUT NOTICE.

